

# tineco

## A10 SERIES Stick Vacuum Cleaner

Instruction Manual

Manual De Uso

Mode D'emploi




\*Actual product may differ from illustration.

**TINECO IS HERE TO HELP.**  
We'll get back to you within 1 business day.



 [www.tineco.com](http://www.tineco.com)

 **1-855-292-8864**  
Mon. - Fri. 9am - 6pm (CST)




# CONTENTS

Important Safety Instructions.....	2
Overview.....	4
Accessories.....	5
Assembly.....	7
Operation.....	9
Maintenance.....	12
Specifications.....	15
Troubleshooting.....	16
Warranty.....	17

**TINECO IS HERE TO HELP.**

We'll get back to you within 1 business day.

 [www.tineco.com](http://www.tineco.com)

 **1-855-292-8864**  
Mon. - Fri. 9am - 6pm (CST)

# Important Safety Instructions

## SAVE THESE INSTRUCTIONS

### Household use only.

When using an electrical appliance, basic precautions should always be followed, including the following:

READ ALL INSTRUCTIONS BEFORE USING (THIS APPLIANCE). Failure to follow the warnings and instructions may result in electric shock, fire and/or serious injury.

### **WARNING** – To reduce the risk of fire, electric shock, or injury:

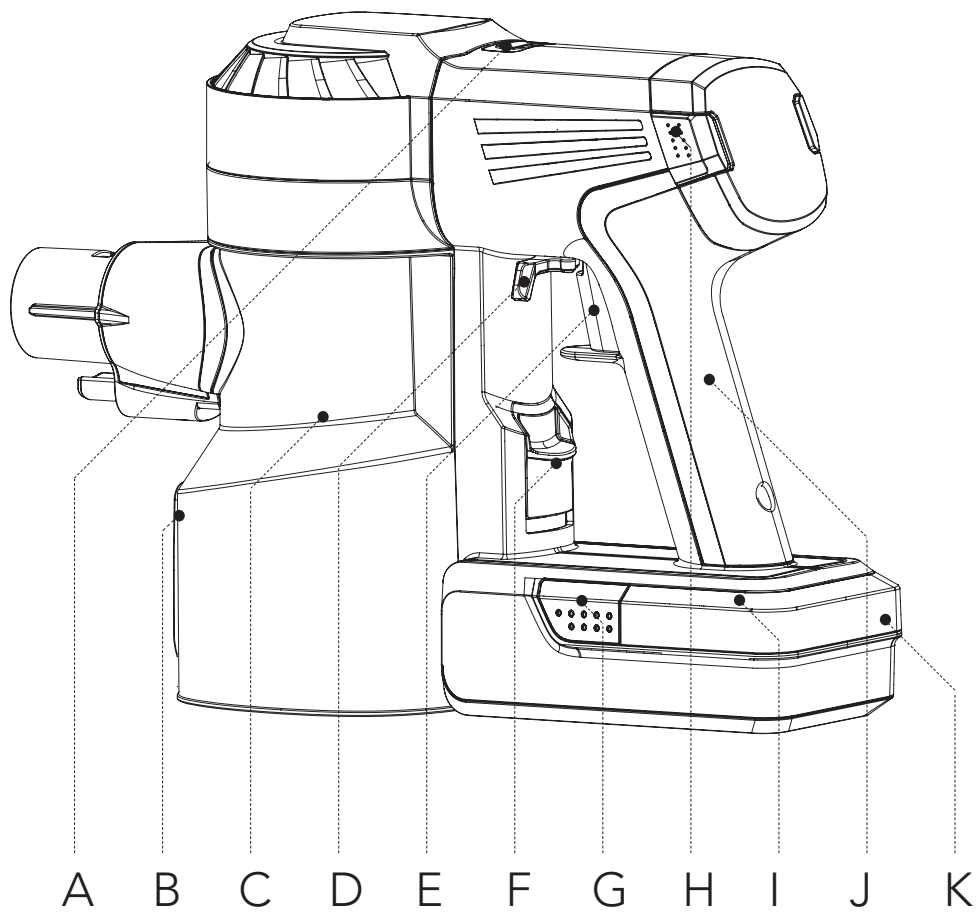
1. This appliance can be used by children aged from 8 years and above and persons with reduced physical, sensory or mental capabilities or lack of experience and knowledge if they have been given supervision or instruction concerning use of the appliance in a safe way and understand the hazards involved. Children should not play with the appliance. Cleaning and user maintenance shall not be performed by children without supervision.
2. The appliance is not to be used by persons (including children) with reduced physical, sensory or mental capabilities, or lack of experience and knowledge, unless they have been given supervision or instruction.
3. For **INDOOR** use **ONLY**. Do not use the appliance outdoors, nor in commercial or industrial environments. Do not use the appliance on wet surfaces or surfaces with standing water.
4. Do not allow to be used as a toy. Close attention is necessary when used by or near children, pets or plants.
5. Use only as described in this manual. Use only manufacturer's recommended attachments.
6. Do not use with a damaged cord or plug. If appliance has been dropped, damaged, left outdoors, dropped into water, or is not working as it should, return it to a service center.
7. Do not handle charger, including charger plug, and charger terminals with wet hands.
8. Do not block openings. Stop use if openings become blocked. Clean and remove any blocked objects according to the manual instructions.
9. Keep hair, loose clothing, fingers, and all parts of your body away from openings and moving parts.
10. Use extra care when cleaning on stairs.
11. Do not use to pick up flammable or combustible liquids, such as gasoline, or use in areas where they may be present.
12. Do not pick up anything that is burning or smoking, such as cigarettes, matches, or hot ashes.
13. Do not use without a filter.
14. Prevent unintentional activation. Ensure the switch is in the off position before connecting to the battery pack, picking up or carrying the appliance. Carrying the appliance with your finger on the switch or powering on the appliance with the switch on may cause accidents.
15. Disconnect the battery pack from the appliance before making any adjustments, changing accessories, storing the appliance. Such preventive safety measures reduce



- the risk of starting the appliance accidentally.
16. For the purposes of recharging the battery, only use the detachable supply unit provided with this appliance. A charger that is suitable for one type of battery pack may create a risk of fire when used with another battery pack.
  17. Use appliances only with specifically designated Tineco battery packs. Use of any other battery packs may create a risk of injury and fire.
  18. When battery pack is not in use, keep it away from other metal objects, like paper clips, coins, keys, nails, screws or other small metal objects, that can make a connection from one terminal to another. Shorting the battery terminals together may cause burns or a fire.
  19. Under improper usage, liquid may be ejected from the battery; avoid contact. If contact accidentally occurs, flush with water. If liquid comes into eye contact, seek medical help. Liquid ejected from the battery may cause irritation or burns.
  20. Do not use a battery pack or appliance that is damaged or modified. Damaged or modified batteries may exhibit unpredictable behavior resulting in fire, explosion or risk of injury.
  21. Do not expose a battery pack or appliance to fire or excessive heat. Exposure to fire or temperatures above 266°F (130°C) may cause an explosion.
  22. Follow all charging instructions and do not charge the battery pack or appliance outside of the temperature range specified in the instructions. Charging improperly or at temperatures outside of the specified range may damage the battery and increase the risk of fire.
  23. Have servicing performed by a qualified repair person using only identical replacement parts. This will ensure that the safety of the product is maintained.
  24. This appliance contains battery cells that are non-replaceable. Do not modify or attempt to repair the appliance or the battery pack except as indicated in the instructions for use and care.
  25. Always turn off this appliance before connecting or disconnecting the motorized nozzle.
  26. Do not charge or store the appliance outdoors or inside a car. Only charge, store or use the battery in a dry indoor area where the temperature is higher than 39.2°F (4°C) but lower than 104°F (40°C). The charger is for indoor use only.

# Overview

EN



A. MAX mode

B. Dust empty release button

C. Dustbin

D. Trigger lock

E. Trigger

F. Dustbin release button

G. Battery release button

H. HEPA release button

I. Battery indicator light

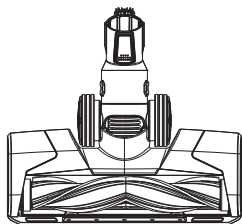
J. Rubber handle

K. Battery pack

# Accessories

## Note:

- Test an accessory on a small, inconspicuous area before use on sensitive surfaces.
- The packaging box shows which accessories are included with your purchase.
- As shown below, there are many components compatible with this model. If you require more accessories, please go to [www.tineco.com](http://www.tineco.com) or [store.tineco.com](http://store.tineco.com).



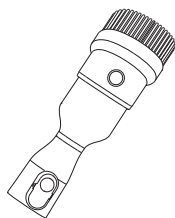
### Full-size LED multi-tasker power brush

Ideal for both hard floors and carpets.  
Very effective for dislodging dirt embedded in the carpet.



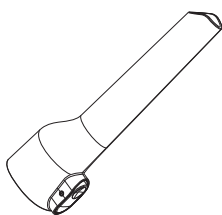
### Mini power brush

For vacuuming upholstered furniture, mattresses, etc.  
Vacuums pet hair and removes ingrained dirt.



### 2-in-1 dusting brush

Switches between a wide and a soft brush by pressing the release button. The soft brush is most effective on hard-surface furniture while the wide brush is effective for upholstered furniture, curtains, etc.



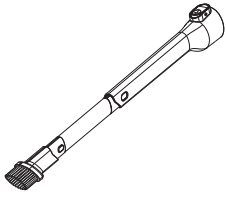
### Crevice tool

For corners, nooks, and other hard-to-reach places such as around car seats, picture frames, and cupboards.



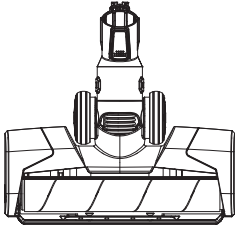
### Soft dusting brush

Angled bristles on a slender, oval-shaped rim provide anti-static, cushioned contact. Suitable for dusting shelves, lighting, delicate surfaces, electronics and more.



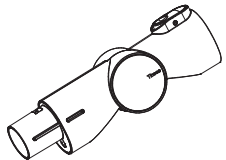
### Flexible long crevice tool

Easy to bend, easy to reach tight spots. Suitable for cleaning dust behind and beneath furniture, around refrigerators, and many other tight gaps.



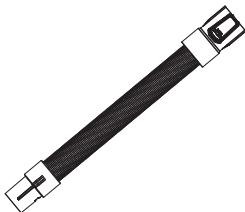
### Full-size LED soft-roller power brush

Perfect for hard floors, especially sensitive wood floor. Picks up coarse and fine dirt at the same time.



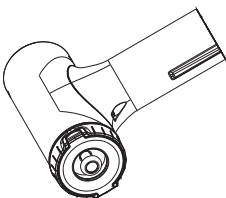
### Multi-angle folding tube

An articulated joint makes it adjustable to allow for flexibility when cleaning from high to low.



### Flexible extension hose

Excellent extension and flexibility to access hard-to-reach spaces; perfect for in-care use. Compatible with all non-motorized Tineco accessories.



### Pre-filter cleaning tool

A dirty filter is a leading cause of suction loss, and this tool is designed to make your filter last much longer. Place the dirty filter inside the pre-filter cleaning tool and close the lid. Run the appliance in MAX mode, and rotate the side cover.

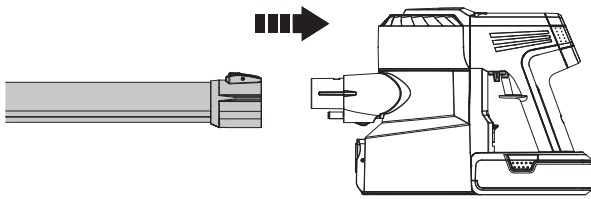


### Hair cleaning tool

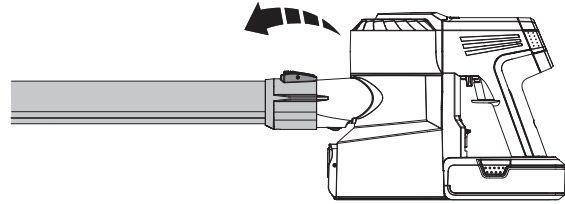
Use the end with the small blade to remove hair and debris wrapped around the roller. Use the end with the brush to clean the brush window, and the dustbin, as required.

# Assembly

## Tube Installation

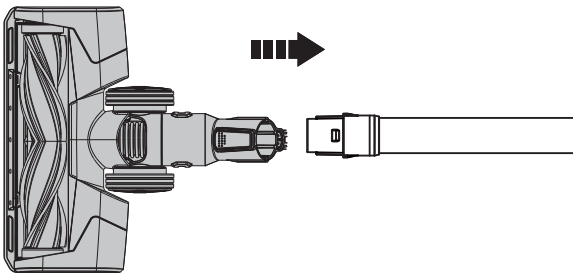


Insert tube.

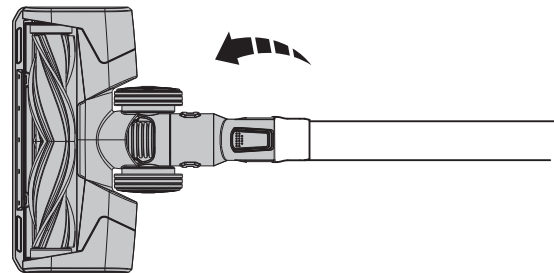


Press the release button to remove the tube.

## Brush Installation

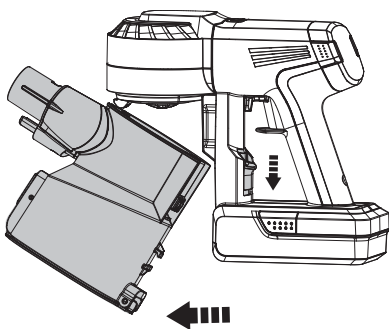


Insert the power brush.

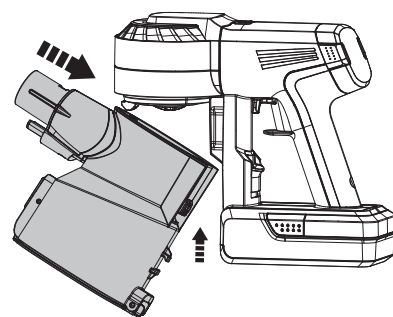


Press the release button to remove the power brush.

## Dustbin Installation

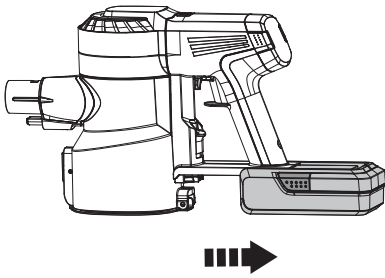


To clean the dustbin more thoroughly, press the dustbin release button to detach from the appliance.

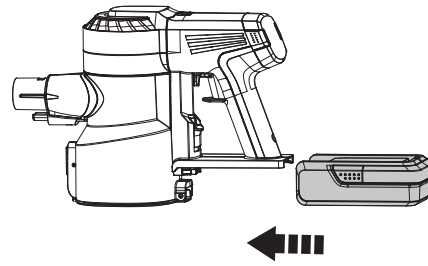


When re-attaching the dustbin, hold on an angle and slot the top of the dustbin into the hook on the main body. Push upwards until the hook is fixed into the slot on the dustbin and then it clicks back into place.

## Battery Installation



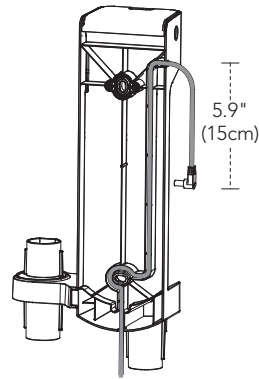
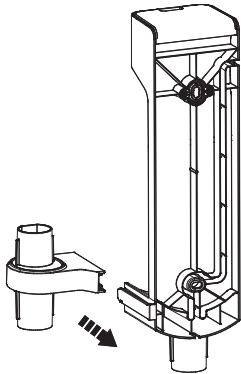
Press the battery release button, and remove the battery.



To replace, slide the battery into the slot at the base of the main body. The battery will click into position when correctly fitted.

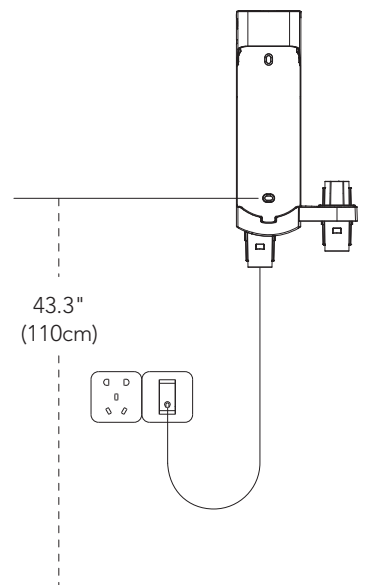
EN

## Wall-mounted Dock Installation



1. Install the accessory bracket to the rail of the wall-mounted dock and push the clip into the slot to complete the assembly.
2. Stuck the power cord onto the slot behind the wall-mounted dock. Start from the plug end and reserve about 5.9" (15cm) power cord to ensure that the plug can reach the charging outlet.
3. Install the wall-mounted dock to the wall with the nails provided by Tineco.

Determine the best wall location for mounting the dock. We recommend placing it 43.3" (110cm) from the lower screw hole to the floor (may need to be adjusted based on the actual situation).



### **Warning:**

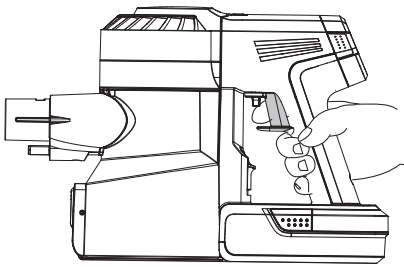
- Ensure the wall surrounding the mounting area is free of gas, water pipes, electrical cables and wires.
- To avoid the dock falling, ensure it is firmly installed.

# Operation

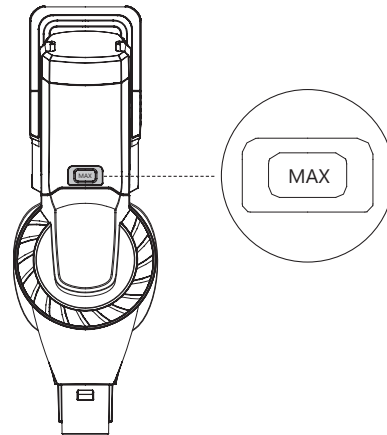
## Preparing for Use

### Note:

- Before the first use, please charge the appliance (see "Charging the Battery") for 3-4 hours in an area where the ambient temperature is between 39.2°F (4°C) and 104°F (40°C).
- Select an accessory and attach it to the appliance before use (see "Accessories").

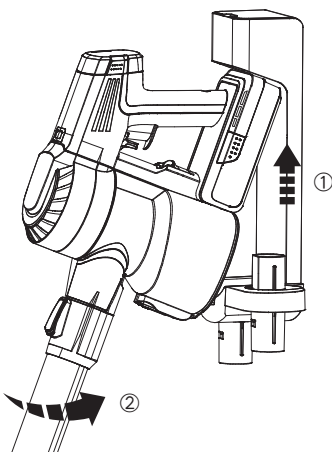


Pull the trigger to activate the suction.  
Pull the trigger lock to hold the trigger for continuous power mode.

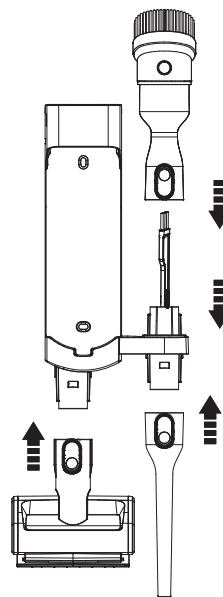


Press the MAX button to switch between regular mode (regular power) and MAX mode (max power).

- Place the appliance on the wall-mounted dock for convenient storage and recharging after use.

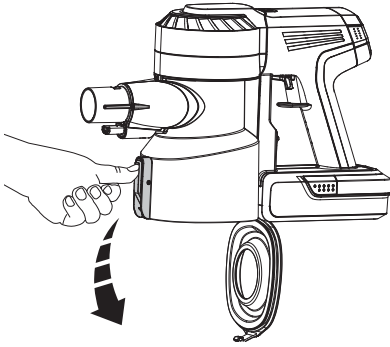


Place the main body on the dock.

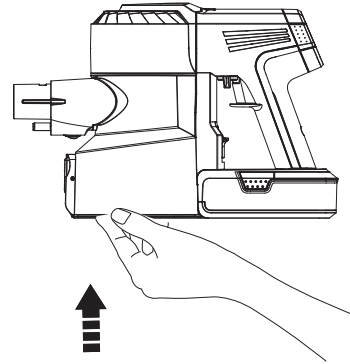


To avoid bristle damage, always place attachments on the dock after use.

## Emptying the Dustbin



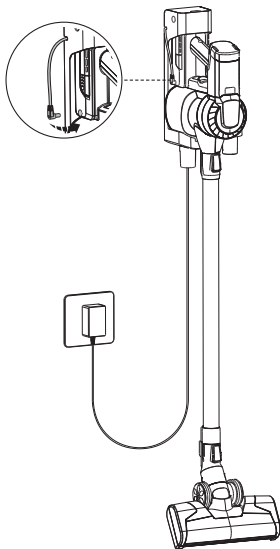
Press the release button on the side of the dustbin to empty the contents.



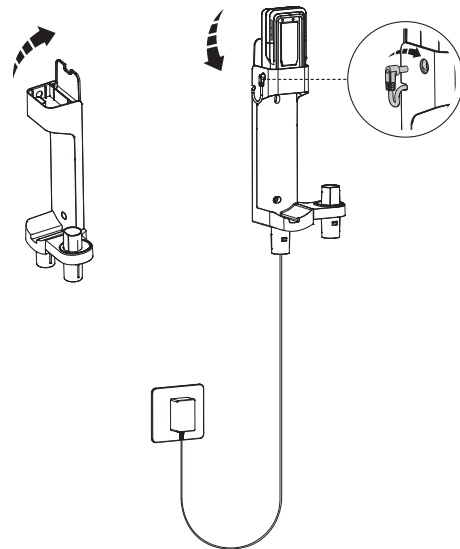
Close and click the dustbin flap back into place.

EN

## Charging the Battery



Place the main body with the battery on the charging dock, plug in the adaptor and charging port, three blue lights blinking successively shows charging correctly.



Or charge the battery separately: open the cover above and put the battery in the upper groove, then plug in the adaptor and charging port, three blue lights blinking successively shows charging correctly.

### Note:

- If you need a spare battery, please purchase from Tineco.



### Warning:

- Only use the Tineco-provided adaptor to charge the battery.
- During long periods of not being used, store the lithium battery in a cool, dry place. Ensure the battery is half-charged every 3 months (2 battery indicators glow on regular mode).
- Store appropriately indoors in a dry place. Do not expose appliance to sunlight or freezing temperature. Recommended temperature range: 39.2°F (4°C)~104°F (40°C).



## Runtime

- When in regular mode, the runtime is approximately 25 minutes. When MAX power is used, the runtime is approximately 10 minutes.
- Estimated runtime data was obtained by a Tineco Laboratory using one battery and non-motorized accessories.

## Charging Time

- A full charge takes approximately 3-4 hours for one battery.
- Estimated data was obtained by a Tineco Laboratory using ambient temperatures between 39.2°F (4°C) to 104°F (40°C).

## Indicator

### When in Use



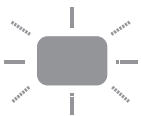
Three solid blue lights: full power.



Two solid blue lights: medium power.



One solid blue light: low power.

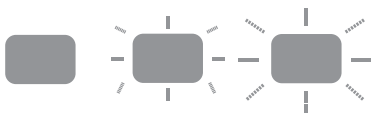


One blinking red light: out of power, the appliance is blocked, or the battery is overheated.



One blinking pink light: the filters or suction mouth is blocked.

### During Charging



Three blue lights blinking successively: charging.



One blinking red light: fault, check the troubleshooting guide.

### Fully Charged



In 5 minutes: three solid blue lights.



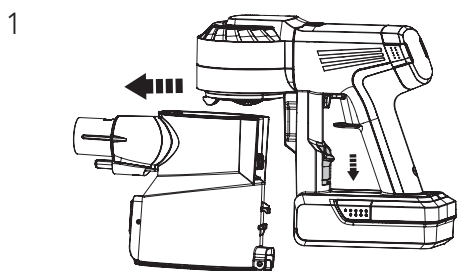
After 5 minutes: lights off.

# Maintenance

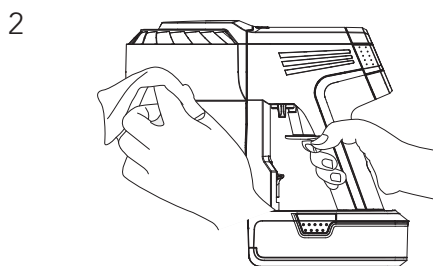
## Note:

- Clean the dustbin and filters after each use.
- Use the cleaning tool to thoroughly clean the pre-filter when pink light blinking. To maintain high performance, wash and dry the pre-filter monthly, replacing it every 6 months. Wash and dry the HEPA filter every 3 months, replacing it every 12 months.

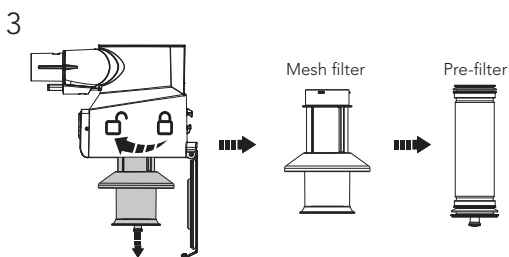
## Dustbin and Mesh Filter



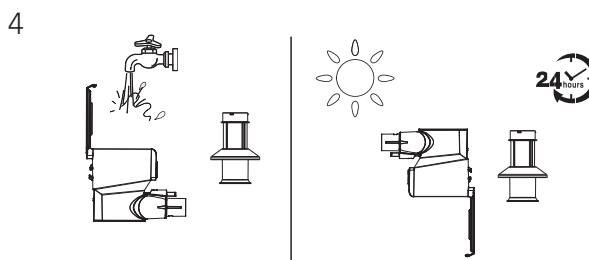
1 Press the dustbin release button to remove the dustbin.



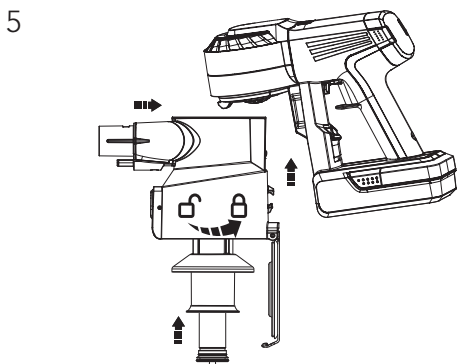
2 Clean with a damp cloth, taking care to prevent water entering the appliance main body and battery.



3 Turn counter-clockwise to remove the filters.

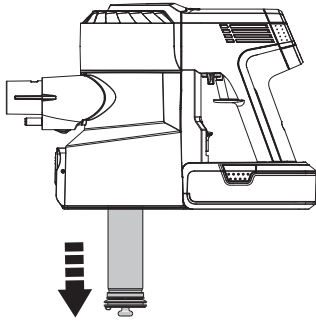


4 Clean the dustbin and mesh filter under cold, running water. Air dry completely before reinstalling.

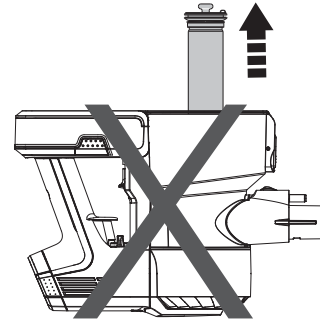


5 After cleaning, insert the clean pre-filter into the mesh filter properly and it clicks into place. Install the clean filter and dustbin back into the main body, then close the dustbin flap.

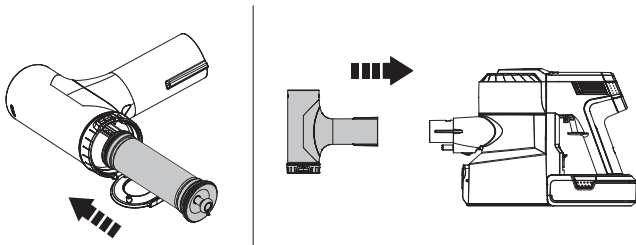
## Pre-filter



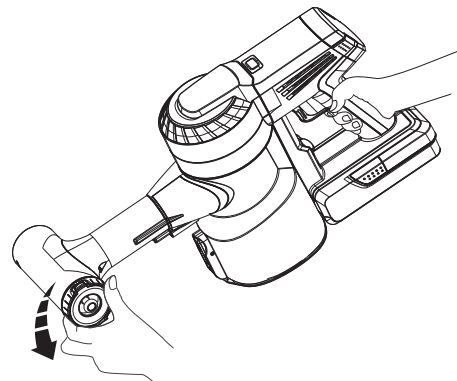
Ensure the appliance is switched off before cleaning, and remove the dirty pre-filter from the mesh filter-holder.



Do not turn the appliance upside down when removing or installing the filter to prevent dust from entering the motor.

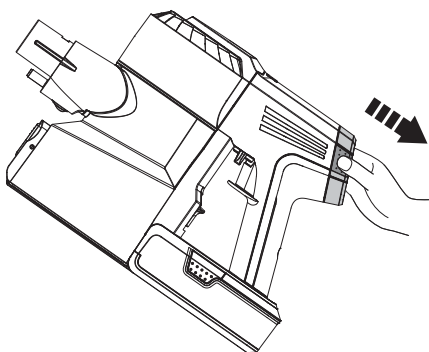


Replace a clean filter to the main body. Put the dirty pre-filter into the cleaning tool and connect the cleaning tool to the main body.

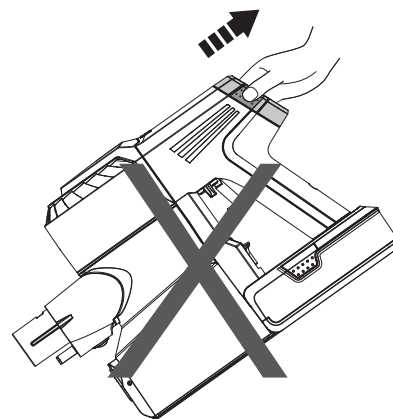


Run the appliance in MAX mode, and rotate the side cover to clean the dirty pre-filter.

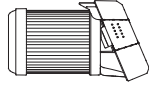
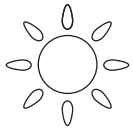
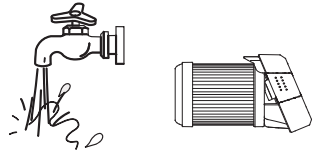
## HEPA Filter



Press the HEPA release button and gently remove for cleaning. Do not use the appliance without first installing the HEPA filter.



Do not place the appliance in the direction as above when removing or installing the HEPA filter, to prevent dust from entering the motor.

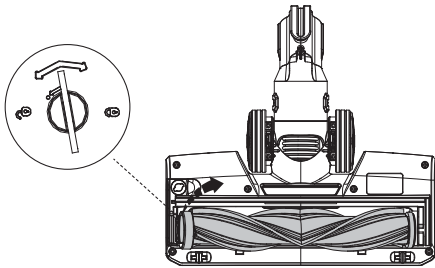


The HEPA filter can be washed under running water and must be completely dry before reinstalling.

EN

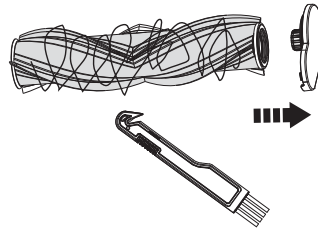
## Brush Roller

1



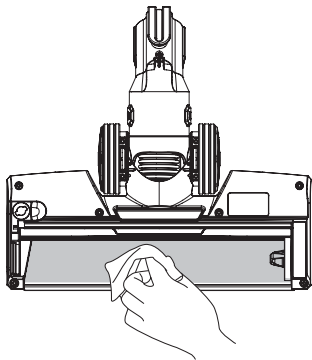
Use a coin or other tool, to unlock the brush roller lock, then remove the brush from the brush window.

2



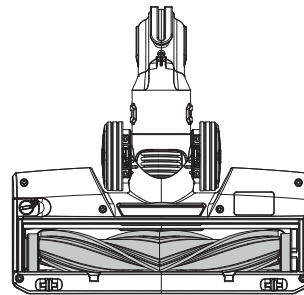
Remove the debris wrapped around the roller with the Tineco Hair Cleaning Tool.

3



Gently clean the transparent brush window.

4



After cleaning, reinstall the brush.

### **Warning:**


- The power brush contains electrical components which must not be soaked or washed with water.

# Specifications

Product	A10 Series
Voltage	21.6V <sub>DC</sub>
Rated Power	350W
Dustbin Capacity	0.4L
Charging time	3-4 hrs
AC Input	100-240V <sub>AC</sub>



## Disposal

- The battery contains materials that are harmful to the environment and must be removed from the appliance before it is discarded.
- When removing the battery, the appliance must be powered off.
- Batteries, chargers, accessories and packaging should be sorted for environmental friendly recycling. Do not put them into fire, water or soil. Do not dispose of batteries and chargers into household waste! 
- If battery leakage contacts skin or clothing, immediately flush with water to avoid irritation and seek medical help.

# Troubleshooting

Problem	Possible cause	Solution
The appliance does not turn on	No power	Charge the battery
	The suction mouth is blocked	Check and remove blockages
	The battery is still connected to the adaptor	Disconnect the battery from the adaptor
Weak suction power	Dustbin and filters are full	Clean the dustbin and filters
	The brush roller tangled with hairs or fibers	Clean the brush roller
	The pre-filter is not installed	Install the pre-filter
	The appliance is blocked (i.e. the tube, suction mouth or some other parts)	Remove blockages
Abnormal motor sounds	The appliance is blocked (i.e. the tube, suction mouth or some other parts)	Remove blockages
Battery won't charge	The adaptor is not correctly inserted or the adaptor is not designed for Tineco A10	Remove the adaptor and insert correct adaptor again
One blinking red light	The appliance is blocked or the brush roller tangled with hairs or fibers	Stop the appliance, remove blockages or clean the brush roller
	The battery is out of power or overheated	Charge the battery or let it cool
One blinking pink light	The filters or the suction mouth is blocked	Clean filters or remove blockages

## Note:

If the above troubleshooting guide fails to provide a solution, please visit our website [www.tineco.com](http://www.tineco.com) for further support.

# Warranty

## 2-YEAR LIMITED WARRANTY

- Only applies to purchases made from authorized retailers of Tineco.
- Is subject to the adherence of the requirements outlined in this instruction manual, and is subject to further conditions outlined below.

## WHAT IS COVERED?

- Your Tineco appliance has a 2-year warranty against original defects in material and workmanship, when used for private household purposes in accordance with the Tineco Instruction Manual. Motorized accessories and battery bought separately come with a 1-year warranty.
- This warranty provides, at no extra cost to you, all labor and parts necessary to ensure your appliance is in proper operating condition during the warranty period.
- This warranty will only be valid if the appliance is used in the country in which it was sold.

## WHAT IS NOT COVERED?

Tineco shall not be liable for costs, damages or repairs incurred as a result of:

- Appliances purchased from an unauthorized dealer.
- Careless operation or handling, misuse, abuse and/or lack of maintenance or use not in accordance with the Tineco Instruction Manual.
- Use of the appliance other than for normal domestic purposes, e.g. for commercial or rental purposes.
- Use of parts not in accordance with the Tineco Instruction Manual.
- Use of parts and accessories other than those produced or recommended by Tineco.
- External factors unrelated to product quality and use, such as weather, modifications, accidents, electrical outages, power surges or acts of God.
- Repairs or alterations carried out by unauthorized parties or agents.
- Failing to clear blockage and other hazardous material from the appliance.
- Normal wear and tear, including normal wearing parts, such as clear bin, belt, filter, HEPA, brush bar, and power cord (or where external damage or abuse is diagnosed), carpet or floor damage due to use not in accordance with manufacturer's instructions or failure to turn the brush bar off when necessary.
- Reduction in battery discharge time due to battery age or use.

## WARRANTY LIMITATIONS

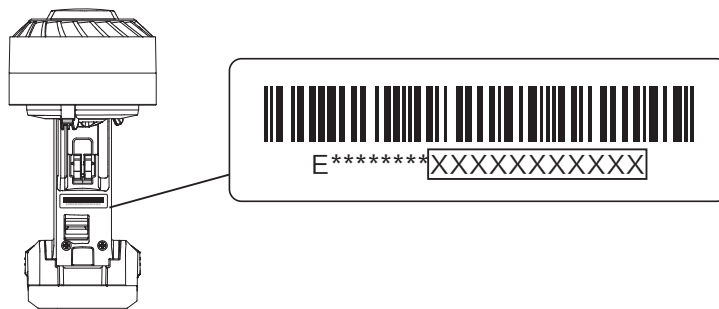
- Any implied warranties relating to your appliance including but not limited to warranty of merchantability or warranty of fitness for a particular purpose, are limited to the duration of this warranty.
- Warranty coverage applies to the original owner and to the original battery only and is not transferable.
- This limited warranty gives you specific legal rights. You may also have other rights which vary by region.
- Manufacturer's warranties may not apply in all cases, depending on factors such as use of the product, where the product was purchased, or who you purchased the product from. Please review the warranty carefully, and contact the manufacturer if you have any questions.

EN

## WARRANTY SERVICE

**Register:** We highly recommend that upon purchase, you register your appliance on the Tineco official website ([www.tineco.com](http://www.tineco.com)) and enjoy exclusive benefits. To register, please enter the last 11 digits of the serial number (remove the dustbin to find the serial number).

Failure to register your product won't diminish your warranty rights.



**How to Claim:** Please retain your proof of purchase. To make a claim under our Limited Warranty, you need to provide your serial number and the original purchase receipt with the purchase date and order number on it.

All work will be carried out by Tineco or an authorized agent.

Any replaced defective parts will become the property of Tineco.

Service under this warranty will not extend the period of this warranty.

Contact our Customer Service  
Hotline: **1-855-292-8864**  
or Visit Tineco website  
**[www.tineco.com](http://www.tineco.com)**  
for expert customer service.




# CONTENIDO

Medidas importantes de seguridad .....	20
Descripción general .....	22
Accesorios .....	23
Montaje .....	25
Funcionamiento.....	27
Mantenimiento .....	30
Especificaciones.....	33
Resolución de problemas .....	34
Garantía.....	35

**TINECO ESTÁ AQUÍ PARA AYUDAR.**

Nos pondremos en contacto con usted dentro de 1 día laboral.

 [www.tineco.com](http://www.tineco.com)

 **1-855-292-8864**  
Lun-Vie 9:00-18:00 (CST)

# Medidas importantes de seguridad

## CONSERVE ESTAS INSTRUCCIONES

### Solo para uso doméstico.

Al usar aparatos eléctricos se deben seguir siempre una serie de medidas básicas de seguridad, entre ellas las siguientes:

LEA TODAS LAS INSTRUCCIONES ANTES DE USAR ESTE APARATO. De no seguir todas las advertencias e instrucciones, se podrían producir descargas eléctricas, un incendio y/o lesiones personales graves.

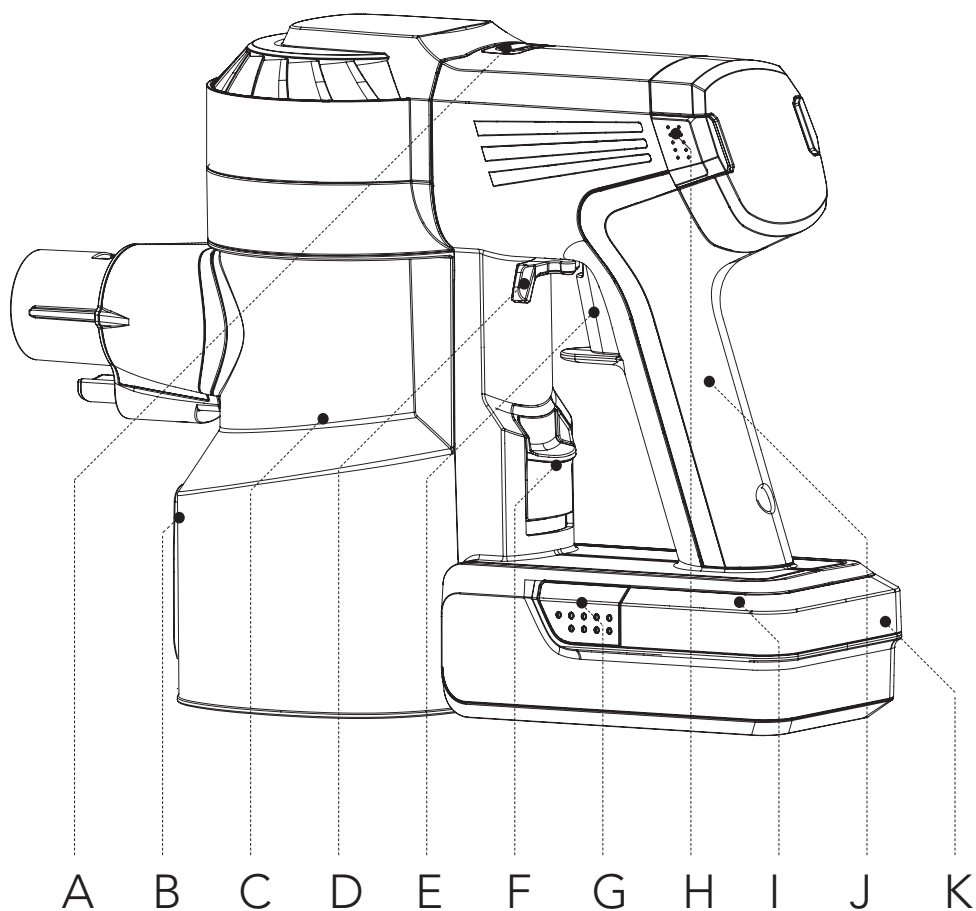
**ADVERTENCIA** – Para disminuir el riesgo de incendios, descargas eléctricas o lesiones:

1. Este aparato puede ser utilizado por niños a partir de 8 años y personas con discapacidades físicas, sensoriales o mentales, o con falta de experiencia y conocimientos, si están supervisados o han recibido instrucciones sobre el uso del aparato de modo seguro y comprenden los peligros que dicho uso acarrea. Los niños no deberán jugar con el aparato. La limpieza y mantenimiento a cargo del usuario no deberán ser realizados por niños sin supervisión.
2. El aparato no debe ser utilizado por personas (niños incluidos) con discapacidades físicas, sensoriales o mentales, o con falta de experiencia y conocimientos, a menos que lo hagan bajo supervisión o se les haya dado instrucciones.
3. SOLO para uso en INTERIORES. No use el aparato en el exterior, ni en entornos comerciales o industriales. No use el aparato sobre superficies húmedas o que tengan agua.
4. No permita que se utilice el aparato como un juguete. Es necesario vigilar atentamente cuando niños usen el aparato o se utilice en la cercanía de niños, mascotas o plantas.
5. Use el aparato solo como se indica en este manual. Use solo accesorios recomendados por el fabricante.
6. No use el aparato si el cable o el enchufe están dañados. Si el aparato se ha caído o dañado, se ha dejado a la intemperie, ha caído al agua o no funciona como debiera, llévelo a un centro de servicio.
7. No manipule el cargador, incluido el enchufe del cargador, ni los terminales del cargador con las manos mojadas.
8. No obstruya las aberturas. Deje de utilizarlo si estas quedaran obstruidas. Limpie y retire los objetos obstruidos siguiendo las instrucciones del manual.
9. Mantenga el pelo, la ropa holgada, los dedos y todas las partes del cuerpo alejados de las aberturas y partes móviles.
10. Lleve mucho cuidado al limpiar escaleras.
11. No aspire líquidos inflamables o combustibles, tales como, gasolina, ni lo use en lugares donde pudieran estar presentes.
12. No aspire nada que se esté quemando o humeando, por ejemplo, cigarrillos.
13. No use el aparato sin el filtro.
14. Evite puestas en marcha accidentales. Verifique que el interruptor está en posición de apagado antes de conectar la batería, tomar el aparato o desplazarlo. Llevar el aparato con el dedo en el interruptor o activar el aparato con el interruptor en posición de encendido puede originar accidentes.

15. Desconecte la batería del aparato antes de realizar ajustes, cambiar accesorios o almacenarlo. Tales medidas preventivas disminuyen el riesgo de poner el aparato en funcionamiento por accidente.
16. Para cargar la batería, use únicamente la unidad separable de suministro incluida con este aparato. Un cargador apto para un tipo de batería podría presentar un riesgo de incendio si se usa con otra batería.
17. Use los aparatos solo con las baterías Tineco especialmente diseñadas. El uso de cualquier otro tipo de batería puede presentar riesgos de incendio y lesiones personales.
18. Cuando no esté usando la batería, manténgala alejada de objetos metálicos, tales como clips, monedas, llaves, clavos, tornillos y otros objetos metálicos pequeños que pudieran conectar un terminal con el otro. Cortocircuitar los terminales de la batería puede causar quemaduras o un incendio.
19. Si se hace un uso inadecuado de la batería, el líquido de su interior podría salirse. Evite el contacto con ese líquido. Si hubiera un contacto accidental, lávese con agua abundante. Si el líquido entra en contacto con los ojos, solicite ayuda médica. El líquido que sale de la batería puede causar irritación o quemaduras.
20. No use la batería ni el aparato si estuvieran dañados o modificados. Las baterías dañadas o modificadas pueden presentar comportamientos impredecibles y causar un incendio, explosión o riesgo de lesiones personales.
21. No exponga la batería ni el aparato al fuego o al calor excesivo. Su exposición al fuego o a temperaturas superiores a 130 °C puede causar una explosión.
22. Siga todas las instrucciones de carga y no cargue la batería o el aparato a temperaturas fuera del rango especificado en las instrucciones. Una carga incorrecta o a una temperatura fuera del rango especificado puede dañar la batería y aumentar el riesgo de que se produzca un incendio.
23. Las reparaciones deben ser realizadas por personal cualificado que utilice únicamente piezas de repuesto idénticas a las originales. Esto garantizará que la seguridad del producto se mantenga.
24. Este aparato posee células de batería no reemplazables. No modifique ni trate de reparar el aparato o la batería, a excepción de lo indicado en las instrucciones para su uso y cuidados.
25. Apague siempre el aparato antes de conectar o desconectar la boquilla motorizada.
26. No cargue ni guarde el aparato a la intemperie ni dentro de un vehículo. Solo cargue, guarde o use la batería en interiores secos donde la temperatura sea superior a 4 °C, pero inferior a 40 °C. El cargador solo es apto para usarse en interiores.

# Descripción general

ES



A. Modo MAX

B. Botón de liberación de vaciado del polvo

C. Depósito de polvo

D. Bloqueo de gatillo

E. Gatillo

F. Botón de liberación del depósito de polvo

G. Botón de liberación de la batería

H. Botón de liberación del filtro HEPA

I. Luz indicadora de la batería

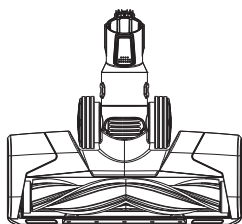
J. Asa de caucho

K. Batería

# Accesorios

## Nota:

- Pruebe un accesorio en un área pequeña y poco visible antes de usarlo sobre superficies sensibles.
- El embalaje muestra los accesorios incluidos con su compra.
- Como se ilustra abajo, hay muchos componentes compatibles con este modelo. Si necesita más accesorios, visite [www.tineco.com](http://www.tineco.com) o [store.tineco.com](http://store.tineco.com).



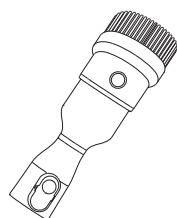
### Cepillo eléctrico LED multitarea de tamaño completo

Ideal tanto para suelos duros como para alfombras. Muy eficaz para agitar la suciedad incrustada en la alfombra.



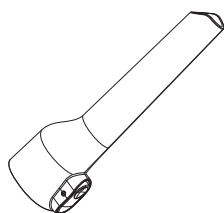
### Minicepillo eléctrico

Para aspirar muebles tapizados, colchones, etc. Aspira pelo de mascotas y elimina la suciedad incrustada.



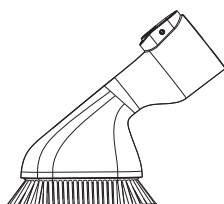
### Cepillo para el polvo 2 en 1

Alternar entre un cepillo ancho y uno suave pulsando el botón de liberación. El cepillo suave es más eficaz en muebles de superficie dura y el cepillo ancho para muebles tapizados, cortinas, etc.



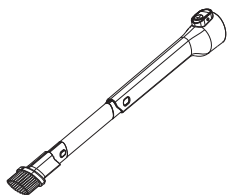
### Boquilla para ranuras

Para esquinas, recovecos y otros lugares difíciles de alcanzar, como asientos de coche, marcos de fotos y armarios.



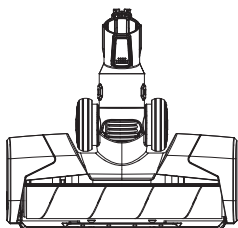
### Cepillo blando para el polvo

Fibras en ángulo de forma delgada y ovalada que proporcionan un contacto acolchado antiestático. Apto para estantes, lámparas, superficies delicadas, aparatos electrónicos y mucho más.



### Accesorio largo flexible para ranuras

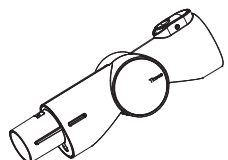
Fácil de doblar, facilita llegar a lugares más estrechos. Adecuado para limpiar el polvo de detrás y debajo de los muebles, alrededor de frigoríficos y muchos otros espacios estrechos.



### Cepillo eléctrico de rodillo suave de tamaño normal LED

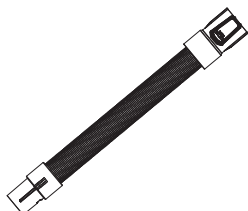
Perfecto para suelos duros, en especial para suelos de madera delicados.

Recoge residuos gruesos y finos al mismo tiempo.



### Tubo plegable de múltiples ángulos

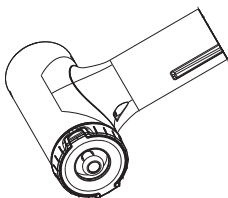
Una junta articulada permite ajustarlo para permitir flexibilidad al limpiar de alto a bajo.



### Manguera de extensión flexible

Extensión y flexibilidad excelentes para alcanzar lugares difíciles. Perfecto para uso de mantenimiento.

Compatible con todos los accesorios Tineco no motorizados.



### Herramienta de limpieza de filtro previo

Un filtro sucio es la causa principal de la pérdida de succión. Esta herramienta está diseñada para que el filtro dure más tiempo.

Coloque el filtro sucio dentro de la herramienta de limpieza del filtro previo y cierre la tapa. Active el aparato en modo MAX y gire la tapa lateral.



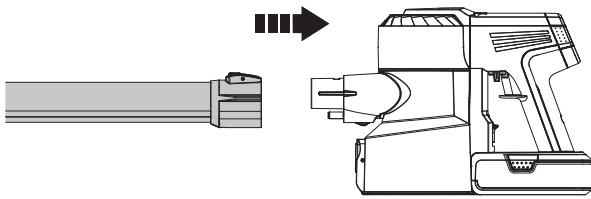
### Accesorio para limpiar pelo

Use el extremo con la pala pequeña para eliminar pelo y residuos enganchados alrededor del rodillo.

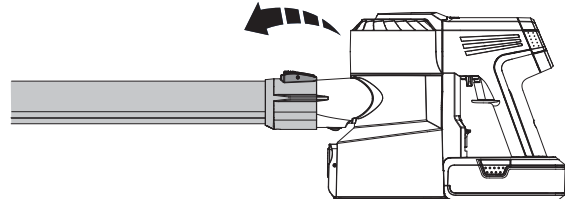
Utilice el extremo con el cepillo para limpiar la ventana y el cubo de polvo, según sea necesario.

# Montaje

## Instalación del tubo

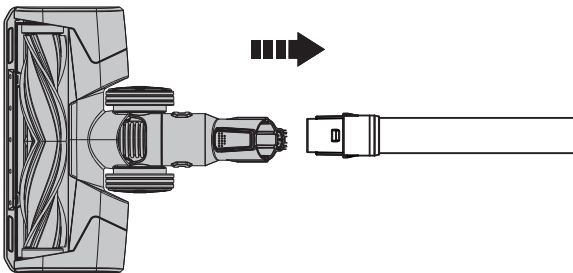


Inserte el tubo.

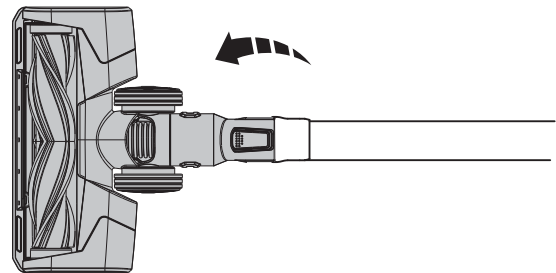


Presione el botón de liberación para retirar el depósito.

## Instalación del cepillo

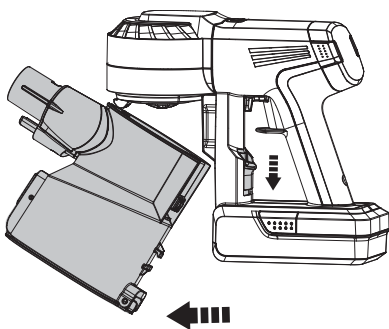


Inserte el cepillo eléctrico.

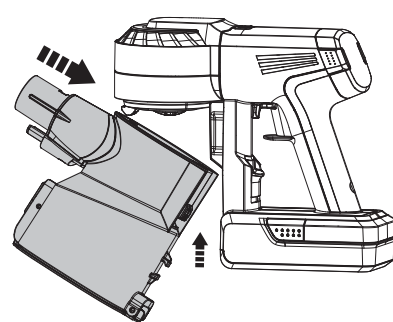


Presione el botón de liberación para retire el cepillo eléctrico.

## Instalación del depósito de polvo

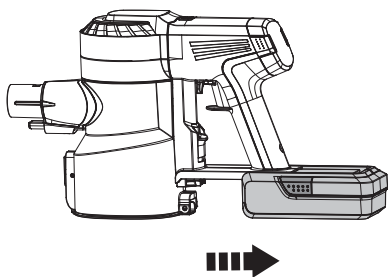


Para limpiar el depósito de polvo mejor, pulse el botón de liberación del depósito de polvo para desacoplarlo del aparato.

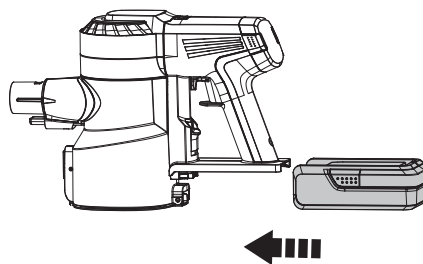


Cuando desacople el depósito de polvo, sosténgalo inclinado y acople la parte superior del depósito de polvo en el gancho del cuerpo principal. Empuje hacia arriba hasta que el gancho quede fijo en la ranura del depósito y volverá a encajar en su lugar.

## Instalación de la batería

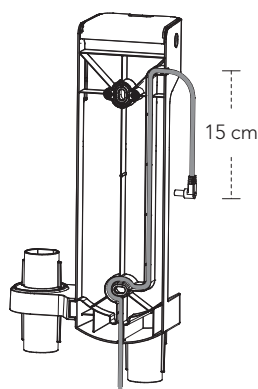
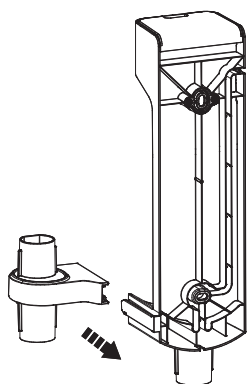


Presione el botón de liberación de la batería y, luego, sáquela.



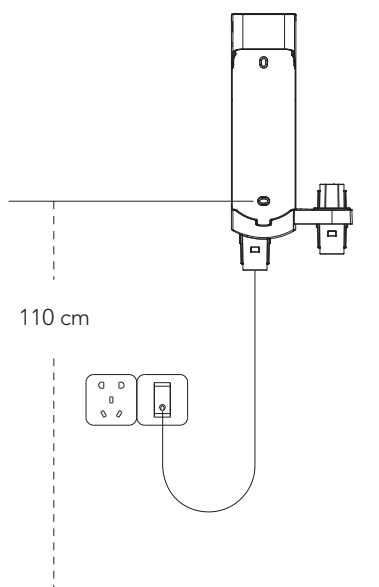
Deslice la batería en la ranura de la base del cuerpo principal para volver a colocarla. La batería se enganchará en su lugar cuando esté correctamente colocada.

## Instalación del puerto de montaje en pared



1. Instale el soporte del accesorio en el raíl del puerto montado en pared y empuje el clip a la ranura para completar el montaje.
2. Enchufe el cable eléctrico a la ranura tras el puerto de montaje en pared. Empiece desde el extremo del enchufe y reserve un cable eléctrico de 15 cm para garantizar que el enchufe llegue a la toma de carga.
3. A continuación, acople el puerto de montaje en pared a la pared con los tornillos suministrados por Tineco.

Determine la mejor ubicación para montar el puerto. Se recomienda colocarlo a una distancia de 110 cm respecto al orificio de tornillo inferior del suelo (es posible que sea necesario ajustarlo según la situación real).



### **Advertencia:**

- Compruebe que la pared que rodea al área de montaje no tenga tuberías de gas o agua ni cables eléctricos.
- Para evitar que el puerto caiga, compruebe que esté instalado firmemente.

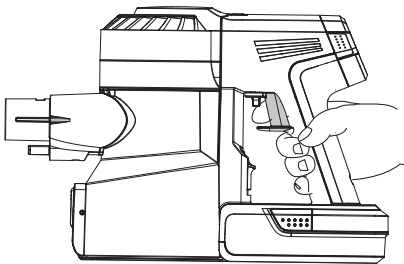


# Funcionamiento

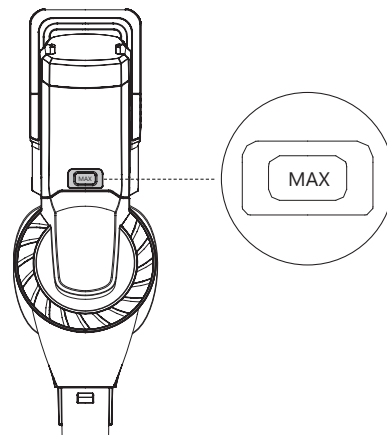
## Preparación para el empleo

### Nota:

- Antes del primer uso, cargue el aparato (consulte "Carga de la batería") durante 3-4 horas en un área donde la temperatura ambiente sea de entre 4 °C y 40 °C.
- Seleccione un accesorio y acóplelo al aparato antes de usarlo (consulte "Accesorios").

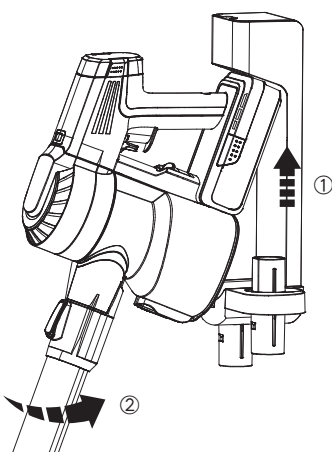


Presione el gatillo para activar la succión. Presione el bloqueo de gatillo para mantener el gatillo en modo de acción continua.

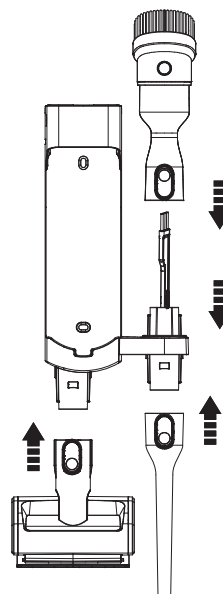


Pulse el botón MAX para alternar entre el modo normal (potencia normal) y el modo MAX (potencia máxima).

- Coloque el aparato sobre el puerto de montaje en pared para almacenarlo de forma cómoda y recargarlo después de usarlo.

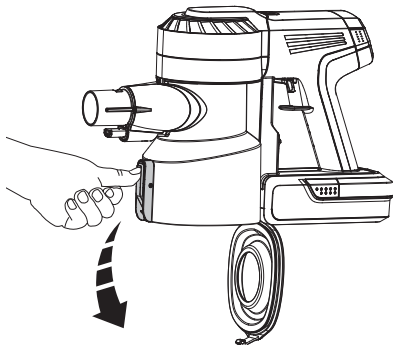


Coloque el cuerpo principal en el puerto.

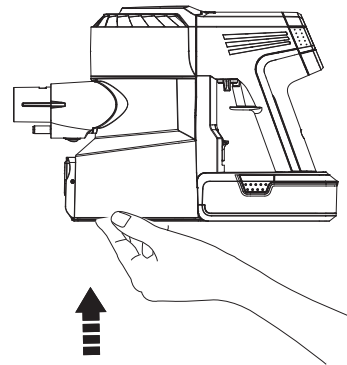


Para evitar daños en las cerdas, coloque siempre los accesorios en el puerto después de usarlo.

## Vaciado del depósito de polvo

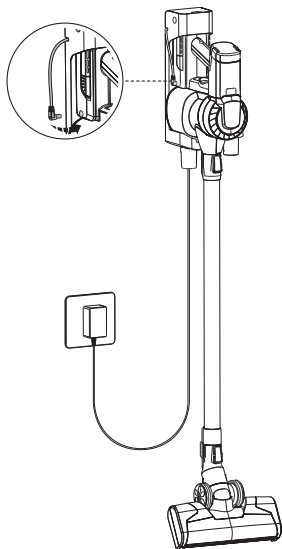


Presione el botón de liberación ubicado en el lateral del depósito de polvo y vacíe el contenido.



Cierre y haga clic en la tapa del depósito de polvo para volver a colocarla.

## Carga de la batería



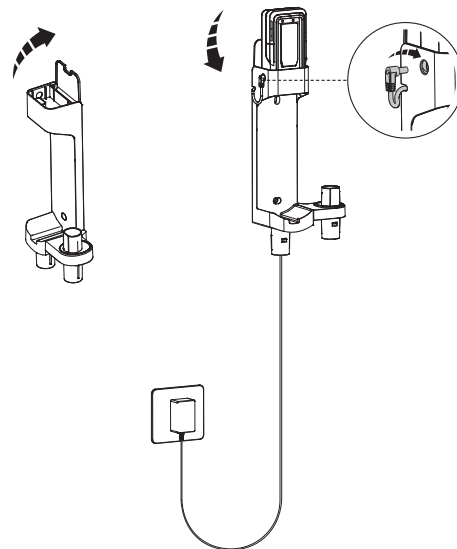
Coloque el cuerpo principal con la batería en el puerto de carga, enchufe el adaptador y el puerto de carga. Las tres luces azules parpadeando sucesivamente indican que se está cargando correctamente.

### Nota:

- Si necesita una batería de repuesto, cómprela a Tineco.

### Advertencia:

- Utilice solo el adaptador proporcionado por Tineco para cargar la batería.
- Si no se utiliza durante un periodo prolongado, almacene la batería de litio en un lugar fresco y seco. Compruebe que la batería esté cargada a la mitad cada 3 meses (2 indicadores de batería se iluminan en modo normal).
- Guárdela en lugar seco en interiores. No exponga el aparato a la luz directa del sol ni a temperaturas por debajo de cero grados. Rango de temperaturas recomendado: entre 4 °C y 40 °C.



También puede cargar la batería por separado: abra la tapa superior y, a continuación, inserte la batería en la muesca superior y enchufe el adaptador y el puerto de carga. Las tres luces azules parpadeando sucesivamente indican que se está cargando correctamente.

## Tiempo de funcionamiento

- En el modo normal, el tiempo de funcionamiento es de aproximadamente 25 minutos. Cuando se utiliza potencia máxima, el tiempo de funcionamiento es de aproximadamente 10 minutos.
- Los datos de tiempo de funcionamiento estimado se han obtenido en el laboratorio Tineco utilizando una batería y accesorios no motorizados.

## Tiempo de carga

- Una carga completa de una batería tarda unas 3-4 horas.
- Los datos estimados se han obtenido en un laboratorio Tineco con temperaturas ambiente de entre 4 °C a 40 °C.

## Indicador

### Durante el uso



Tres luces azules sólidas: carga completa.



Dos luces azules fijas: media carga.



Una luz azul sólida: carga baja.



Una luz roja parpadeando durante la carga: sin carga, el aparato está bloqueado o la batería se ha sobrecalentado.



Una luz rosa parpadeando: los filtros o boca de succión está bloqueada.

### Durante la carga



Tres luces azules parpadean sucesivamente: cargando.



Una luz roja parpadeando durante la carga: fallo, consulte la guía de resolución de problemas.

### Completamente cargado



En 5 minutos: tres luces azules sólidas.



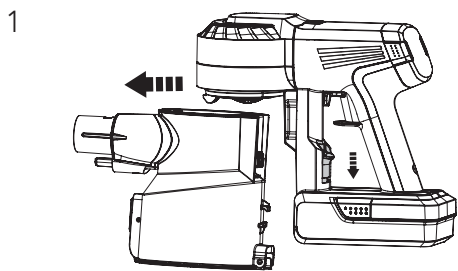
Después de 5 minutos: luces apagadas.

# Mantenimiento

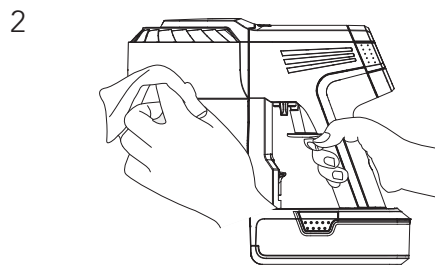
## Nota:

- Limpie el depósito de polvo y los filtros después de cada uso.
- Utilice la herramienta de limpieza para limpiar bien el filtro previo cuando la luz rosa parpadee. Para mantener un rendimiento elevado, lave y seque el filtro previo cada mes, sustituyéndolo cada 6 meses.  
Lave y seque el filtro HEPA cada 3 meses, sustituyéndolo cada 12 meses.

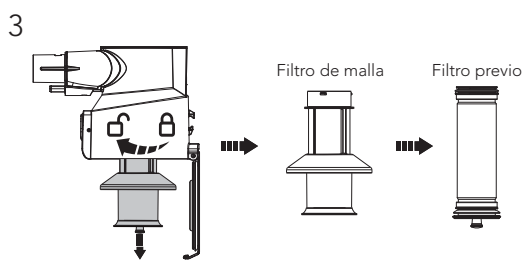
## Depósito de polvo y filtro de malla



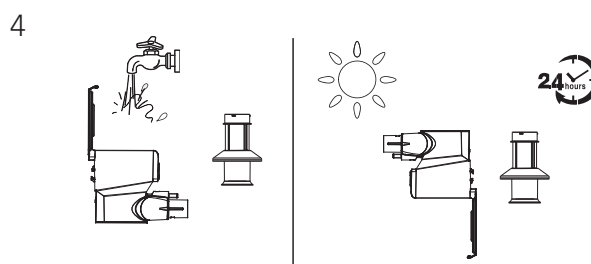
Presione el botón de liberación del depósito para retirarlo.



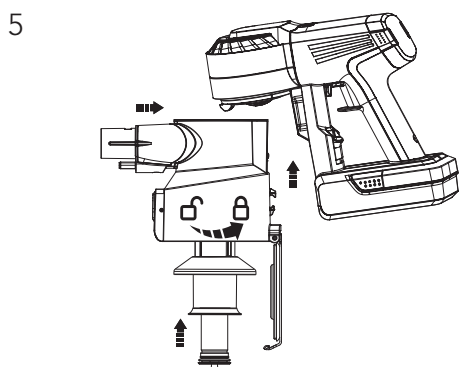
Limpie con un paño húmedo, procurando evitar que entre agua en el cuerpo principal de aparato y la batería.



Gire en sentido contrario al de las agujas del reloj para retirar los filtros.

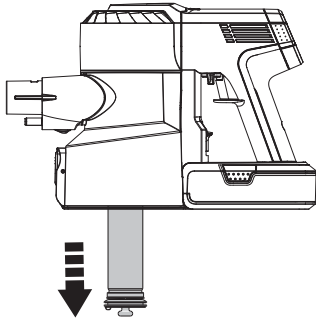


Limpie el depósito de polvo y el filtro de malla con agua corriente fría. Seque completamente con aire antes de volver a instalarlo.

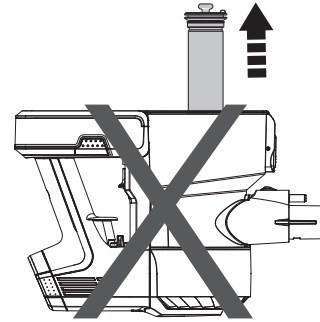


Después de limpiarlo, inserte bien el filtro previo en el filtro de malla hasta que encaje con un chasquido. Instale los filtros limpios y el depósito de polvo en el cuerpo principal y, luego, vuelva a colocar la tapa del depósito de polvo.

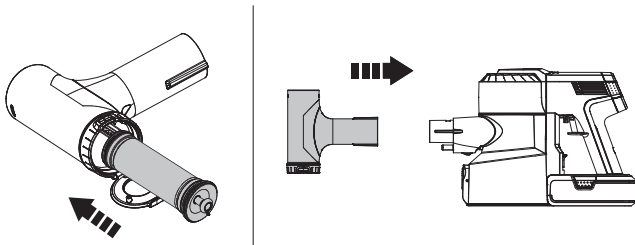
## Filtro previo



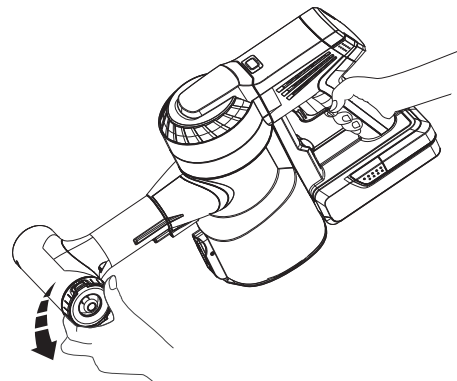
Compruebe que el aparato esté apagado antes de limpiarlo y retire el filtro previo del soporte del filtro de malla.



No ponga el aparato boca abajo cuando retire o instale el filtro para evitar que entre polvo en el motor.

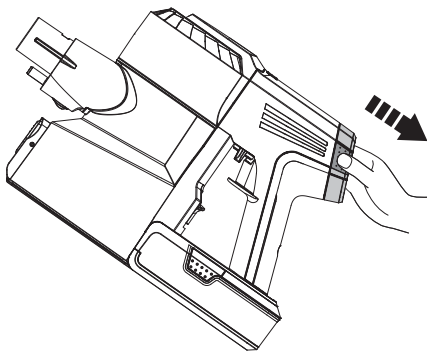


Vuelva a colocar el filtro limpio en la carcasa principal. Ponga el filtro previo sucio en la herramienta de limpieza y conecte la herramienta de limpieza a la carcasa principal.

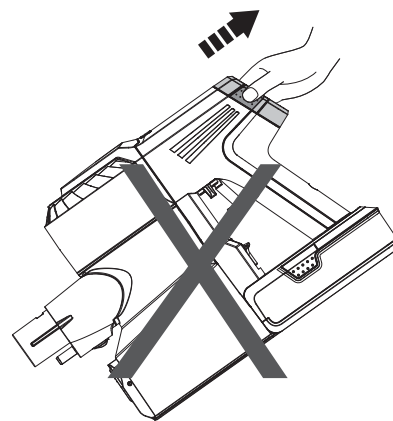


Active el aparato en modo MAX y gire la cubierta lateral para limpiar la suciedad del filtro previo.

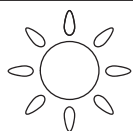
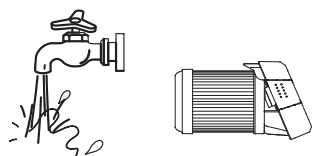
## Filtro HEPA



Presione el botón de liberación del HEPA y sáquelo suavemente para limpiarlo. No utilice el aparato sin instalar primero el filtro HEPA.



No coloque el aparato como se muestra arriba cuando retire o instale el filtro HEPA para evitar que entre polvo en el motor.

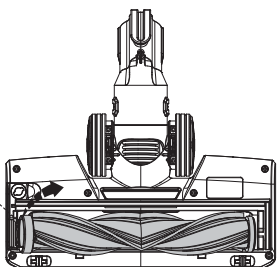


El filtro HEPA se puede lavar bajo agua corriente y debe secarse completamente antes de volver a instalarlo.

ES

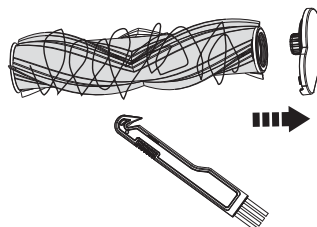
## Cepillo de rodillo

1



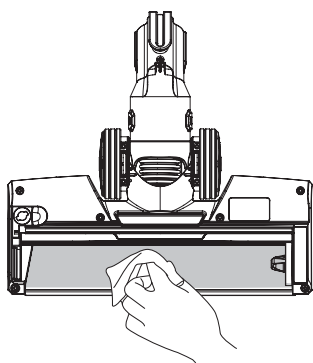
Use una moneda o cualquier otra herramienta para desbloquear el cepillo de rodillo y, luego, retire el cepillo de su ventana.

2



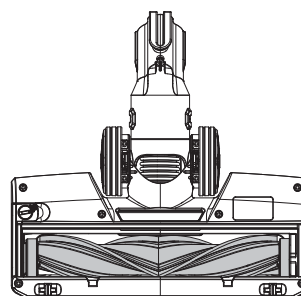
Elimine los restos enrollados alrededor del rodillo con la herramienta de limpieza de pelo Tineco.

3



Limpie con cuidado la ventana transparente del cepillo.

4



Después de limpiarlo, vuelva a instalar el cepillo.




### Advertencia:

- El cepillo eléctrico contiene componentes eléctricos que no se pueden remojar ni lavar con agua.

# Especificaciones

Producto	Serie A10
Tensión	21,6 V $\equiv$
Potencia nominal	350 W
Capacidad del depósito de polvo	0,4 L
Tiempo de carga	3-4 horas
Entrada CA	Aprox. 100-240 V

## Eliminación

- La batería contiene materiales dañinos para el medioambiente y deben retirarse del aparato antes de desecharlo.
- Al retirar la batería, el aparato debe estar apagado.
- Las baterías, cargadores, accesorios y embalaje deben clasificarse para reciclarlos de un modo respetuoso con el medio ambiente. No los arroje al fuego, al agua o sobre el terreno. No deseche las baterías ni los cargadores junto con la basura doméstica. 
- Si la batería presenta fugas y el líquido entra en contacto con la piel o la ropa, enjuáguelos inmediatamente con agua para evitar irritación y consulte con un médico.

# Resolución de problemas

Problema	Posible causa	Solución
El aparato no se enciende	No tiene suministro eléctrico	Cambie la batería
	La boca de succión está bloqueada	Examínela y retire las obstrucciones
	La batería sigue conectada al adaptador	Desconecte la batería del adaptador
Potencia de succión débil	El depósito de polvo y los filtros están llenos	Limpie el depósito de polvo y los filtros
	El cepillo de rodillo está enredado con pelo o fibras	Limpie el cepillo de rodillo
	El filtro previo no está instalado	Instale el filtro previo
	El aparato está obstruido (es decir, el tubo, la boca de succión o cualquier otra pieza)	Retire las obstrucciones
Sonidos anómalos del motor	El aparato está obstruido (es decir, el tubo, la boca de succión o cualquier otra pieza)	Retire las obstrucciones
La batería no se carga	El adaptador no está insertado correctamente o no está diseñado para el Tineco A10	Retire el adaptador e inserte de nuevo el adaptador correcto
Una luz roja parpadeando durante la carga	El aparato está obstruido o el cepillo de rodillo está enredado con pelo o fibras	Detenga el aparato, retire las obstrucciones o limpie el cepillo de rodillo
	La batería no tiene potencia o se ha sobrecalentado	Cargue la batería o deje que se enfríe
Una luz rosa parpadeando	Los filtros o la boca de succión está bloqueada	Limpie los filtros o retire las obstrucciones

## Nota:

Si la guía de resolución de problemas no incluye una solución, visite nuestro sitio web [www.tineco.com](http://www.tineco.com) para recibir más ayuda.



# Garantía

## GARANTÍA LIMITADA DE 2 AÑOS

- Solo se aplica a las compras realizadas a minoristas autorizados de Tineco.
- Está sujeta al cumplimiento de los requisitos descritos en este manual de instrucciones y otras condiciones descritas a continuación.

## ¿CUÁL ES LA COBERTURA?

- El aparato Tineco tiene una garantía de 2 años contra defectos originales en materiales y mano de obra, cuando se usa para fines domésticos privados de acuerdo con el manual de instrucciones de Tineco. Los accesorios motorizados y la batería comprados por separado tienen una garantía de 1 año.
- Esta garantía proporciona, sin coste adicional, toda la mano de obra y las piezas necesarias para garantizar que el aparato se encuentre en buenas condiciones de funcionamiento durante el período de garantía.
- Esta garantía solo será válida si el aparato se utiliza en el país donde se vendió.

## ¿CUÁLES SON LOS ARTÍCULOS SIN COBERTURA?

Tineco no será responsable de los costes, daños o reparaciones incurridos como resultado de:

- Aparatos adquiridos en un distribuidor no autorizado.
- Mala manipulación o manipulación descuidada, mal uso, abuso y/o falta de mantenimiento o usos no conformes con el manual de instrucciones de Tineco.
- Uso del aparato para otros fines que no sean fines domésticos normales, por ejemplo. para fines comerciales o de alquiler.
- Uso de piezas no conformes con el manual de instrucciones de Tineco.
- Uso de piezas y accesorios distintos a los producidos recomendados por Tineco.
- Factores externos no relacionados con la calidad del agua y el uso, como el clima, modificaciones, accidentes, apagones, picos de tensión o causas naturales.
- Reparaciones o alteraciones realizada por personas o agentes no autorizados.
- No realizar el desbloqueo de obstrucción y otros materiales peligrosos del aparato.
- Desgaste normal, incluidas las piezas de desgaste normal, como el recipiente transparente, la correa, el filtro, el HEPA, la barra de cepillo y el cable de alimentación (o por daños o abusos externos identificados), daños en la alfombra o en el suelo por uso indebido o no de acuerdo con las instrucciones del fabricante.
- Reducción del tiempo de descarga de la batería debido a su uso o antigüedad.

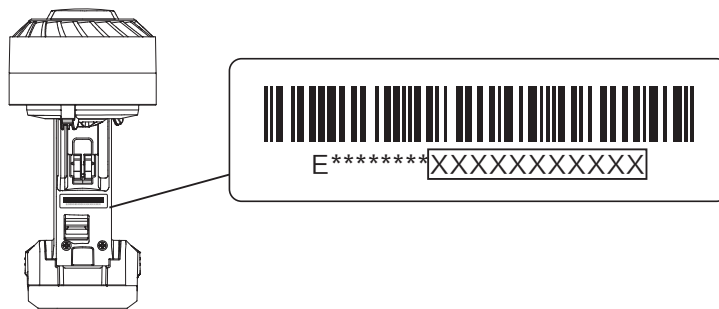
## LIMITACIONES DE GARANTÍA

- Cualquier garantía implícita relacionada con el aparato, que incluye, entre otras, la garantía de comerciabilidad o la garantía de adecuación para un propósito particular, se limita a la duración de esta garantía.
- La cobertura de la garantía se aplica únicamente al propietario original y a la batería original; no es transferible.
- Esta garantía limitada le otorga derechos legales específicos. También puede tener otros derechos que varían según la región.
- Es posible que las garantías del fabricante no se apliquen en todos los casos, dependiendo de factores como el uso del producto, el lugar donde se compró el producto o quién lo compró. Revise la garantía cuidadosamente y contacte con el fabricante si tiene alguna pregunta.

## GARANTÍA Y SERVICIO

**Registro:** Le recomendamos encarecidamente que registre el aparato en el sitio web oficial de Tineco ([www.tineco.com](http://www.tineco.com)) y disfrute de beneficios exclusivos. Para registrarlo, introduzca los últimos 11 dígitos del número de serie (retire el depósito de polvo para encontrar el número de serie).

No registrar el aparato no implica pérdida de derechos de garantía.



**Cómo hacer una reclamación:** Conserve el recibo de compra. Para realizar una reclamación bajo su garantía limitada, debe enviar el número de serie y el recibo original de compra con la fecha de compra y el número de pedido.

Todo trabajo será responsabilidad de Tineco o de algún agente autorizado.

Cualquier pieza defectuosa reemplazada pasará a ser propiedad de Tineco.

El servicio bajo esta garantía no extenderá el período de esta garantía.

Póngase en contacto con nuestra línea de atención al cliente:  
**1-855-292-8864**  
o visite la página web de Tineco  
**[www.tineco.com](http://www.tineco.com)**  
para recibir ayuda experta.


# SOMMAIRE

Consignes de sécurité importantes .....	38
Description.....	40
Accessoires.....	41
Assemblage .....	43
Fonctionnement .....	45
Entretien .....	48
Spécifications .....	51
Guide de dépannage .....	52
Garantie.....	53

**TINECO EST LÀ POUR VOUS AIDER.**

Nous vous répondrons dans 1 jour ouvrable.

 [www.tineco.com](http://www.tineco.com)

 **1-855-292-8864**  
Lu. - Ve. 9 h à 18 h (CST)

# Consignes de sécurité importantes

## CONSERVEZ CES INSTRUCTIONS

### Usage domestique exclusivement.

Lorsque vous utilisez un appareil électrique, veuillez respecter des précautions de sécurité élémentaires, incluant les suivantes :

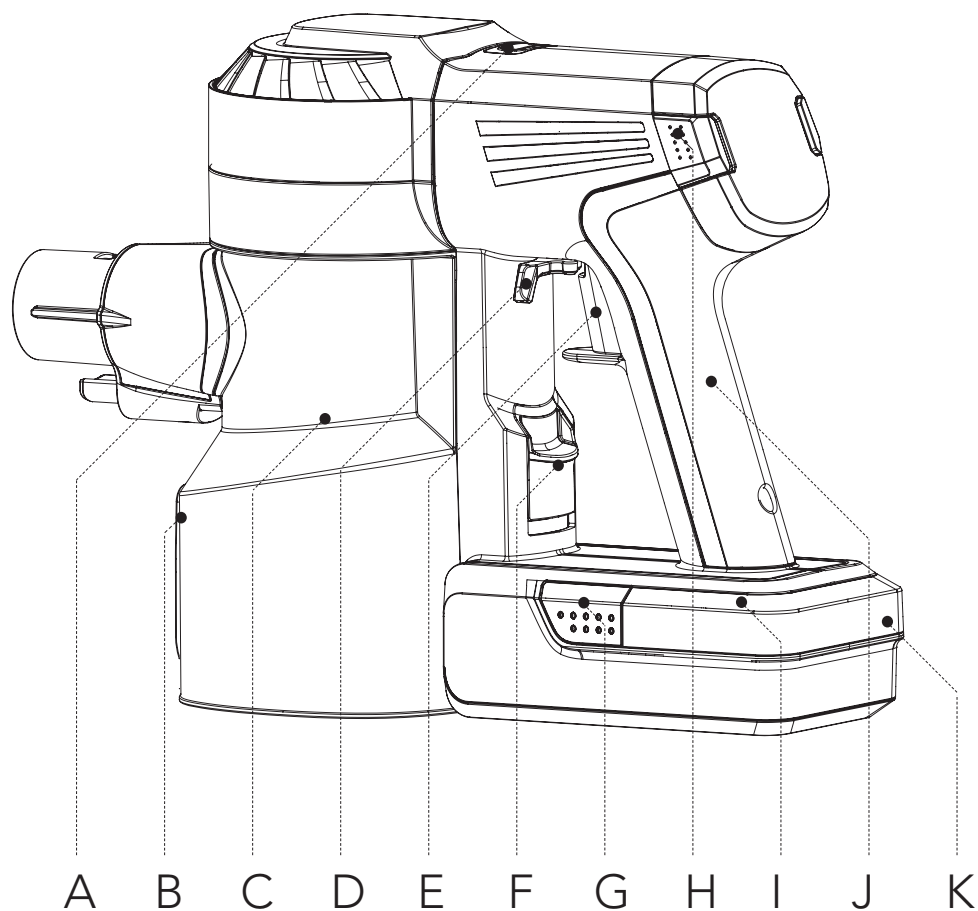
LISEZ TOUTES LES INSTRUCTIONS AVANT L'UTILISATION (DE CET APPAREIL). Le non-respect des consignes de sécurité et des instructions peut provoquer un choc électrique, un incendie et/ou des blessures graves.

**AVERTISSEMENT** – Afin de réduire le risque d'incendie, de choc électrique ou de blessures corporelles :

1. Cet appareil peut être utilisé par des enfants à partir de 8 ans et par des personnes dont les capacités physiques, sensorielles ou mentales sont réduites, ou des personnes dénuées d'expérience ou de connaissance, si elles ont pu bénéficier, par l'intermédiaire d'une personne responsable de leur sécurité, d'une surveillance ou d'instructions préalables concernant l'utilisation de l'appareil. Les enfants ne doivent pas jouer avec cet appareil. Le nettoyage et l'entretien ne doivent pas être effectués par des enfants sans surveillance.
2. Cet appareil n'est pas destiné à être utilisé par des personnes (y compris les enfants) ayant des capacités physiques, sensorielles ou mentales limitées, ou manquant d'expérience et/ou de connaissances, sauf si elles sont surveillées ou ont reçu des instructions.
3. Cet appareil est conçu pour un usage en INTÉRIEUR UNIQUEMENT. N'utilisez pas cet appareil en plein air, ni dans un environnement commercial ou industriel. N'utilisez pas l'appareil sur des surfaces mouillées ou avec de l'eau stagnante.
4. Veillez à ce que cet appareil ne soit pas utilisé comme un jouet. Une attention particulière est nécessaire lorsque l'aspirateur est utilisé près d'enfants, d'animaux domestiques ou de plantes.
5. Utilisez l'appareil uniquement de la manière décrite dans ce manuel. Utilisez exclusivement les accessoires recommandés par le constructeur.
6. N'utilisez pas l'appareil si son câble d'alimentation ou sa prise est endommagé(e). Si l'appareil est tombé, est endommagé, a été laissé à l'extérieur ou en contact avec de l'eau ou ne fonctionne pas correctement, retournez-le à un centre d'entretien.
7. Ne manipulez pas le chargeur, y compris la prise et/ou les bornes du chargeur avec les mains mouillées.
8. Ne bloquez pas les ouvertures. Arrêtez toute utilisation si les ouvertures sont bloquées. Nettoyez et retirez les objets bloqués conformément aux instructions du manuel.
9. Gardez les cheveux, les vêtements amples, les doigts et autres parties du corps éloignés des ouvertures et des pièces en mouvement.
10. Soyez particulièrement vigilant(e) en passant l'aspirateur dans les escaliers.
11. N'utilisez pas cet appareil pour aspirer des liquides combustibles ou inflammables, comme l'essence, et ne passez pas l'aspirateur dans une pièce où se trouvent de tels liquides.
12. Ne passez en aucun cas l'aspirateur sur des objets brûlants ou incandescents, comme des cigarettes, des allumettes ou des cendres chaudes.

13. Ne faites pas fonctionner cet appareil sans le filtre.
14. Évitez la mise en marche accidentelle. Vérifiez que l'interrupteur marche/arrêt est en position d'arrêt avant d'insérer la batterie, de saisir l'appareil ou de le porter. Transporter l'appareil avec un doigt sur l'interrupteur ou le brancher alors que son interrupteur est en position de marche favorise les accidents.
15. Déconnectez la batterie de l'appareil avant d'effectuer un réglage, de changer un accessoire ou de ranger l'appareil. Ces mesures de sécurité permettent de réduire les risques de démarrage accidentel de l'appareil.
16. Pour recharger la batterie, utilisez uniquement l'unité d'alimentation détachable fournie avec cet appareil. Un chargeur adapté à un seul type de batterie peut présenter un risque d'incendie s'il est utilisé avec une batterie différente.
17. Utilisez cet appareil uniquement avec des batteries Tineco spécialement conçues pour cet usage. L'utilisation de toute autre batterie peut créer un risque de blessures et d'incendie.
18. Lorsque la batterie n'est pas utilisée, elle doit être rangée loin de tout objet métallique, tel que trombone, pièce de monnaie, clef, clou, vis et tout autre petit objet métallique qui risquerait de mettre en contact ses bornes. Court-circuiter les bornes de la batterie peut provoquer des brûlures et un incendie.
19. En cas de mauvaise utilisation, du liquide peut s'en échapper. Évitez tout contact avec ce liquide. En cas de contact accidentel, rincez à grande eau. Si du liquide entre en contact avec les yeux, consultez un médecin. Le liquide qui s'échappe de la batterie peut provoquer des irritations ou des brûlures.
20. N'utilisez pas l'appareil si la batterie ou l'appareil lui-même est endommagé ou modifié. Les batteries modifiées ou endommagées peuvent produire un fonctionnement imprévisible pouvant provoquer un incendie, une explosion ou un risque de blessure.
21. N'exposez pas la batterie ou l'appareil à des flammes ou à une température excessive. L'exposition au feu ou à des températures supérieures à 130 °C peut provoquer une explosion.
22. Respectez toutes les instructions de charge et ne rechargez pas la batterie ou l'appareil quand la température ambiante est hors de la plage spécifiée dans les instructions. Une recharge incorrecte ou recharger une batterie sous des températures hors de la plage spécifiée peut endommager la batterie et accroître le risque d'incendie.
23. Faites réparer votre appareil par un réparateur qualifié qui ne devra utiliser que des pièces de rechange identiques. Cela permettra de garantir une utilisation sûre de l'appareil.
24. Cet appareil contient une batterie cellulaire non remplaçable. Ne modifiez pas et n'essayez pas de réparer l'appareil ou la batterie sauf comme indiqué dans les instructions d'utilisation et d'entretien.
25. Éteignez toujours cet appareil avant de brancher ou de débrancher l'embout motorisé.
26. Ne chargez et ne rangez pas l'appareil en plein air ou à l'intérieur d'une voiture. Chargez, stockez ou utilisez la batterie uniquement dans une zone intérieure sèche où la température est supérieure à 4 °C, mais inférieure à 40 °C. Le chargeur est conçu exclusivement pour une utilisation en intérieur.

# Description

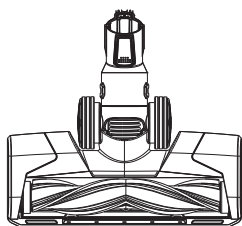


- A. Mode MAX
- B. Bouton de vidage du bac à poussières
- C. Bac à poussières
- D. Verrou de la gâchette
- E. Gâchette
- F. Bouton de déverrouillage du bac à poussières
- G. Bouton de déverrouillage de la batterie
- H. Bouton de déverrouillage du filtre HEPA
- I. Indicateur lumineux de la batterie
- J. Poignée en caoutchouc
- K. Bloc-batterie

# Accessoires

## Remarque :

- Testez un accessoire sur une petite zone peu visible avant de l'utiliser sur des surfaces sensibles.
- La boîte d'emballage indique les accessoires fournis avec votre achat.
- Comme illustré ci-dessous, de nombreux composants sont compatibles avec ce modèle. Si vous avez besoin de plus d'accessoires, veuillez aller sur le site [www.tineco.com](http://www.tineco.com) ou [store.tineco.com](http://store.tineco.com).



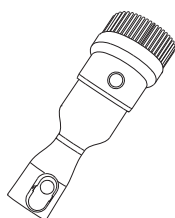
### LED électro-brosse multi-tâches

Idéal pour les sols durs et les moquettes / tapis.  
Très efficace pour secouer la saleté incrustée dans le tapis.



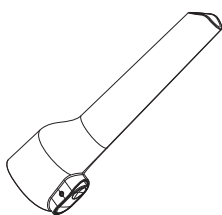
### Mini brosse turbo

Pour passer l'aspirateur sur les meubles rembourrés, les matelas, etc.  
Aspirer les poils d'animaux de compagnie et enlever la saleté incrustée.



### Brosse combinée 2-en-1

Permet de passer d'une brosse large à une brosse douce en appuyant sur le bouton de déverrouillage. La brosse douce est plus efficace sur les meubles à surface dure et la brosse large sur les meubles rembourrés, les rideaux, etc.



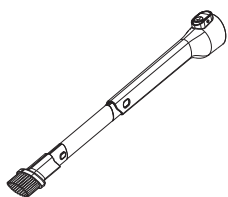
### Suceur plat

Pour les coins, recoins et autres endroits difficiles d'accès tels que les sièges auto, les cadres photo et les placards.



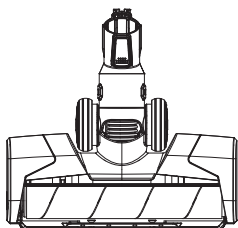
### Brosse douce à poussière

Les poils inclinés sur la forme ovale mince permettent un contact antistatique et amorti. Convient pour dépoussiérer les étagères, les lampes, les surfaces délicates, les appareils électroniques, etc.



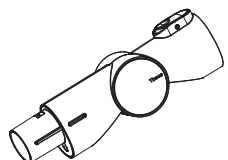
### Long suceur plat flexible

Facile à plier, il facilite l'accès aux endroits étroits. Il convient au nettoyage de la poussière derrière et sous les meubles, autour des réfrigérateurs et de nombreux autres espaces étroits.



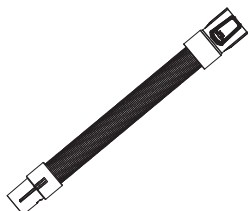
### Grand rouleau brosse douce turbo LED

Parfait pour les sols durs, en particulier les sols en bois sensibles. Il permet de ramasser les saletés grossières et fines en même temps.



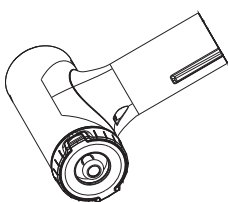
### Tube flexible multi-angle

Un joint articulé permet de le régler pour plus de flexibilité lors du nettoyage de haut en bas.



### Tube d'extension flexible

Excellente extension et flexibilité pour accéder aux espaces difficiles à atteindre, idéal pour une utilisation en voiture. Compatible avec tous les accessoires Tineco non motorisés.



### Outil de nettoyage pour pré-filtre

Un filtre sale est l'une des principales causes de la perte d'aspiration, et cet outil est conçu pour prolonger la durée de vie de votre filtre. Placez le filtre sale à l'intérieur de l'outil de nettoyage du pré-filtre et fermez le couvercle. Utilisez l'appareil en mode MAX et faites pivoter le capot latéral.



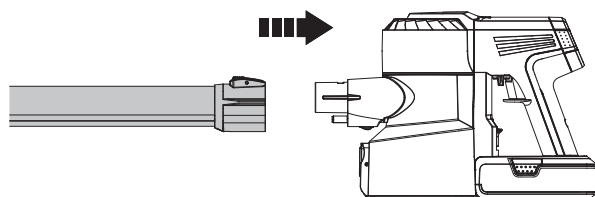
### Outil de nettoyage des poils/cheveux

Utilisez l'extrémité munie d'une petite lame pour enlever les poils/cheveux et les débris enroulés autour du rouleau. Utilisez l'extrémité avec la brosse pour nettoyer la fenêtre de brosse et le bac à poussières, au besoin.

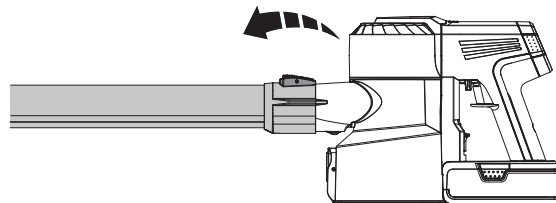


# Assemblage

## Installation du tube

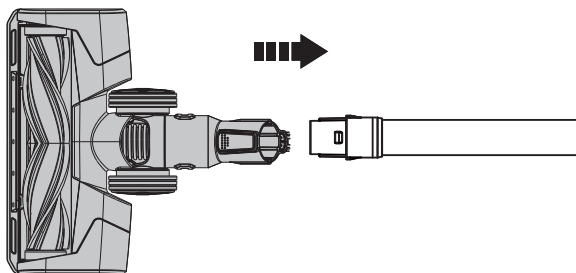


Insérez le tube.

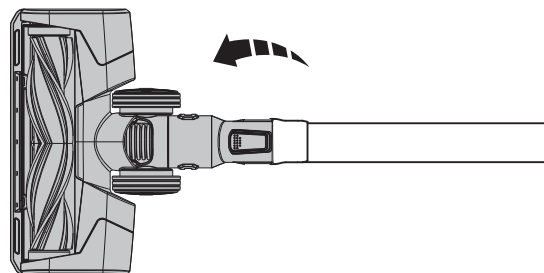


Appuyez sur le bouton de déverrouillage et retirez le tube.

## Installation de la brosse

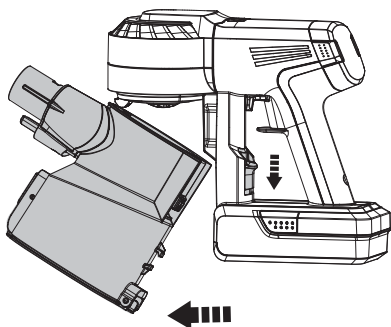


Insérez la brosse.

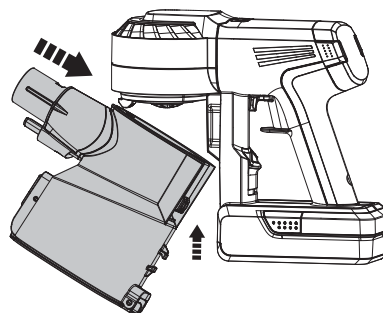


Appuyez sur le bouton de déverrouillage et retirez la brosse.

## Installation du bac à poussières

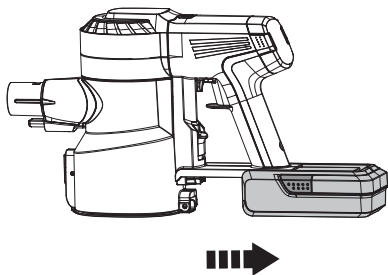


Pour nettoyer plus en profondeur le bac à poussières, appuyez sur son bouton de déverrouillage pour le détacher de l'appareil.

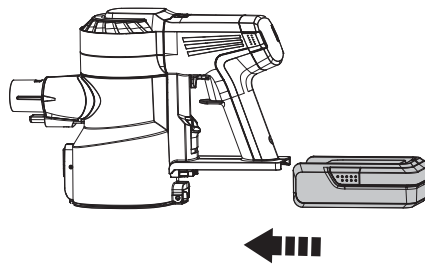


Lors de la réinstallation du bac à poussières, maintenez une certaine inclinaison et insérez le haut du bac à poussières dans le crochet du corps principal. Poussez vers le haut jusqu'à ce que le crochet soit fixé dans la fente du bac à poussières avant de s'enclencher en place.

## Installation de la batterie

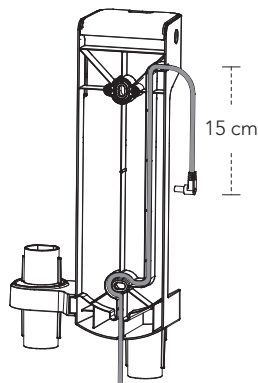
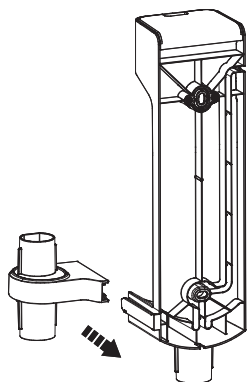


Appuyez sur le bouton de déverrouillage de la batterie, puis retirez-la.



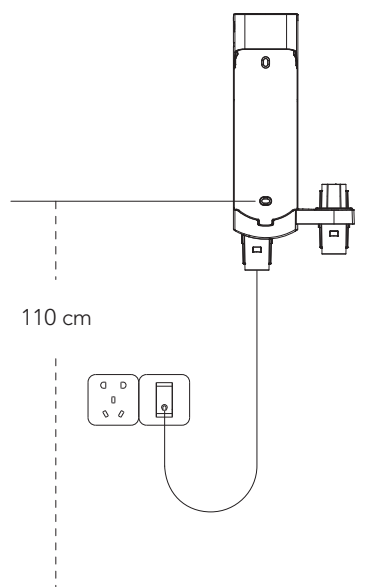
Pour la remettre en place, faites glisser la batterie dans l'emplacement au bas du boîtier principal. La batterie s'enclenchera en position une fois qu'elle sera correctement insérée.

## Installation de la station d'accueil murale



1. Installez le support d'accessoires sur le rail de station d'accueil murale et poussez la fixation dans la fente pour terminer le montage.
2. Plaquez le cordon d'alimentation sur la fente derrière la station d'accueil murale. Commencez par l'extrémité de la fiche et réservez environ 15 cm de cordon d'alimentation pour vous assurer que la fiche peut atteindre la prise de charge.
3. Installez la station d'accueil au mur avec les clous fournis par Tineco.

Déterminez le meilleur emplacement pour fixer la station murale. Nous recommandons de la placer à 110 cm du trou de vis au sol (il peut être nécessaire de l'ajuster en fonction de la situation réelle).



### **Avertissement :**

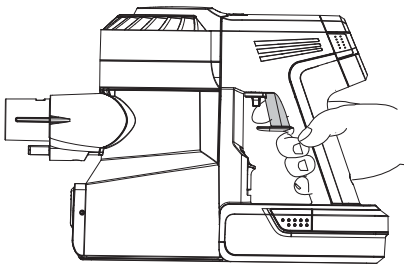
- Assurez-vous que le mur autour de la zone de montage ne comporte pas de tuyaux de gaz ou d'eau, ou de câbles ou fils électriques.
- Pour éviter que la station d'accueil ne tombe, assurez-vous qu'elle est solidement installée.

# Fonctionnement

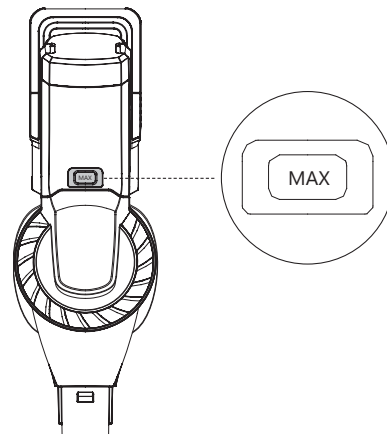
## Préparation à l'utilisation

### Remarque :

- Avant la première utilisation, veuillez recharger l'appareil (voir « Recharger la batterie ») pendant 3 à 4 heures dans une zone où la température ambiante est comprise entre 4 °C et 40 °C.
- Sélectionnez un accessoire et fixez-le à l'appareil avant utilisation (voir « Accessoires »).

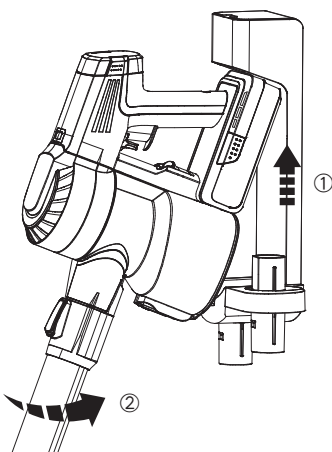


Appuyez sur la gâchette pour activer l'aspiration. Appuyez sur le verrou de la gâchette pour la maintenir en mode d'alimentation continue.

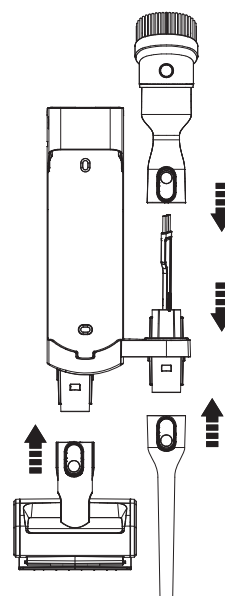


Appuyez sur la touche MAX pour alterner entre le mode normal (puissance normale) et le mode MAX (puissance maximale).

- **Placez l'appareil sur la station murale pour un rangement et une recharge pratiques après utilisation.**

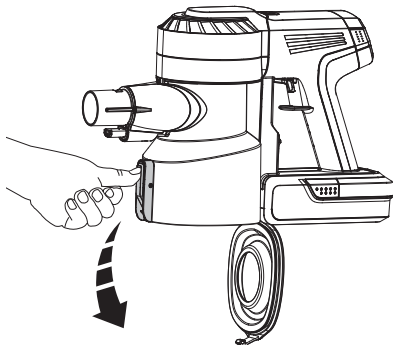


Placez le boîtier principal sur la station d'accueil.

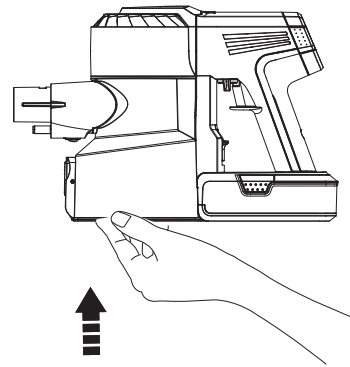


Pour éviter d'endommager les poils, placez toujours les accessoires sur la station après utilisation.

## Vidage du bac à poussières

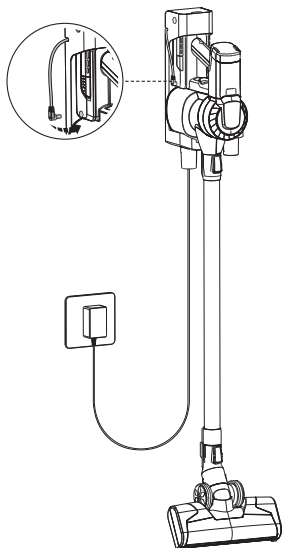


Appuyez sur le bouton de déverrouillage situé sur le côté du bac à poussières et videz le contenu.

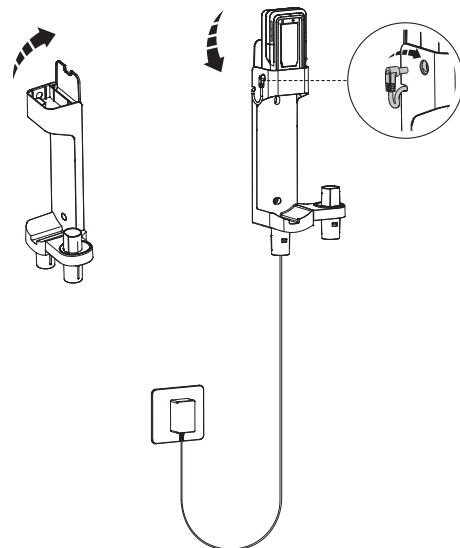


Fermez et remettez en place le volet du bac à poussières.

## Recharger la batterie



Placez le corps principal avec la batterie sur la station de recharge, branchez l'adaptateur et le port de charge ; trois voyants bleus clignotant successivement indiquent une charge correcte.



Vous pouvez également charger la batterie séparément : ouvrez le cache du dessus, puis placez la batterie dans la rainure supérieure et branchez l'adaptateur et le port de charge ; trois voyants bleus clignotant successivement indiquent une charge correcte.

### Remarque :

- Si vous avez besoin d'une batterie de rechange, veuillez l'acheter auprès de Tineco.



### Avertissement :

- Utilisez uniquement l'adaptateur fourni par Tineco pour recharger la batterie.
- Pendant de longues périodes d'inutilisation, rangez la batterie au lithium dans un endroit frais et sec. Assurez-vous que la batterie est à moitié chargée tous les 3 mois (2 voyants de batterie s'allument en mode normal).
- Entrez-la correctement dans un endroit sec. N'exposez pas l'appareil à la lumière du soleil ni au gel. Plage de température recommandée : 4 °C à 40 °C.

## Autonomie

- En mode normal, l'autonomie est d'environ 25 minutes. Lorsque la puissance MAX est utilisée, l'autonomie est d'environ 10 minutes.
- Les données de l'autonomie estimée sont obtenues par le laboratoire Tineco avec une batterie et des accessoires non motorisés.

## Durée de charge

- Il faut compter environ 3 à 4 heures pour recharger une batterie.
- Les données estimées ont été obtenues par un laboratoire Tineco à des températures ambiantes comprises entre 4 °C et 40 °C.

## Indicateur

### En cours d'utilisation



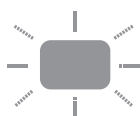
Trois voyants bleus fixes restent allumés : pleine charge.



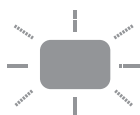
Deux voyants bleus fixes : charge moyenne.



Un voyant bleu fixe : charge faible.

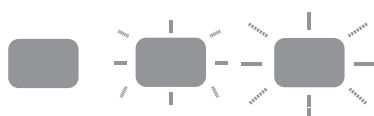


Un voyant rouge clignotant : hors tension, l'appareil est bloqué ou la batterie est surchauffée.

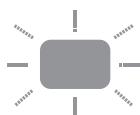


Un voyant rose clignotant : les filtres ou la bouche d'aspiration sont bloqués.

### Durant la charge



Trois voyants bleus clignotent successivement : recharge en cours.



Un voyant rouge clignotant : problème, vérifiez le guide de dépannage.

### Chargé à 100 %



Pendant 5 minutes : trois voyants bleus fixes restent allumés.



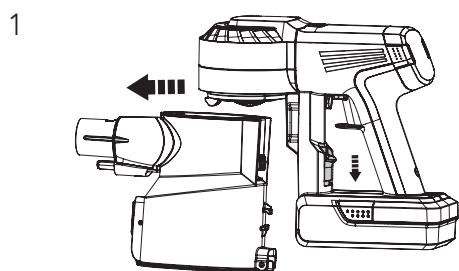
Après 5 minutes : voyants éteints.

# Entretien

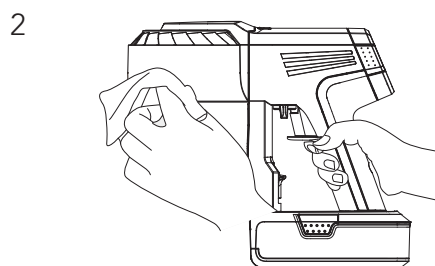
## Remarque :

- Nettoyez le bac à poussières et les filtres après chaque utilisation.
- Utilisez l'outil de nettoyage pour nettoyer soigneusement le pré-filtre lorsque la lumière rose clignote. Pour maintenir des performances élevées, lavez et séchez le pré-filtre tous les mois et remplacez-le tous les 6 mois.  
Lavez et séchez le filtre HEPA tous les 3 mois, et remplacez-le tous les 12 mois.

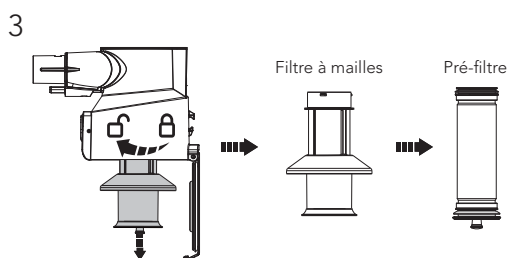
## Bac à poussières et filtre à mailles



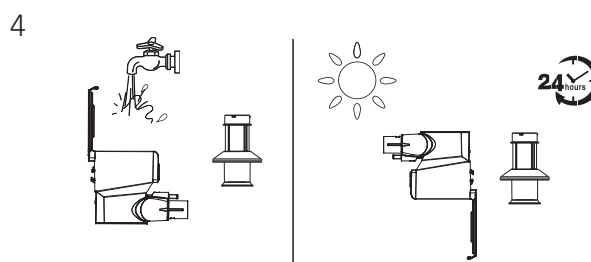
Appuyez sur le bouton de déverrouillage du bac à poussières et retirez-le.



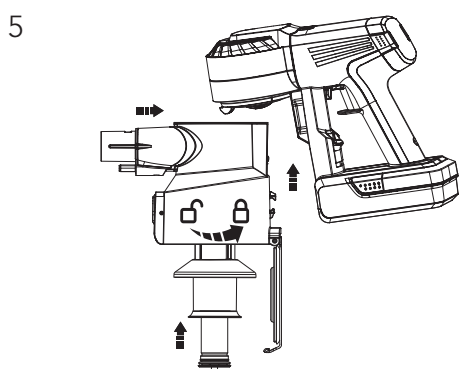
Nettoyez avec un chiffon humide, en prenant soin d'empêcher l'eau de pénétrer dans le corps principal et la batterie de l'appareil.



Tournez les filtres dans le sens antihoraire pour les retirer.

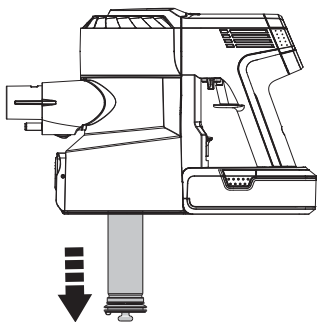


Nettoyez le bac à poussières et le filtre à mailles sous l'eau courante froide. Séchez complètement à l'air libre avant de remettre en place.

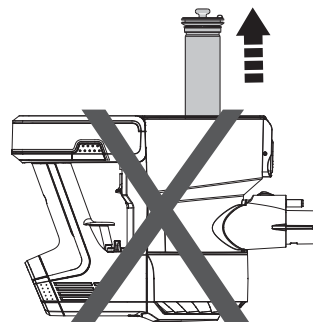


Après le nettoyage, insérez correctement le pré-filtre propre dans le filtre à mailles et il s'enclenche en place. Installez le filtre propre et le bac à poussière dans le corps principal, puis remplacez le couvercle du bac à poussières.

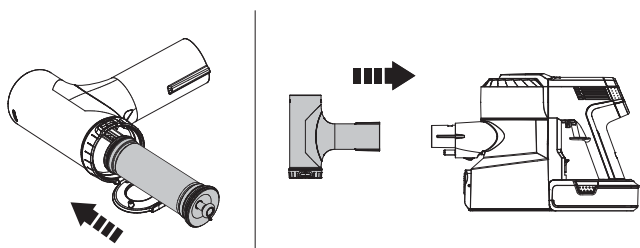
## Pré-filtre



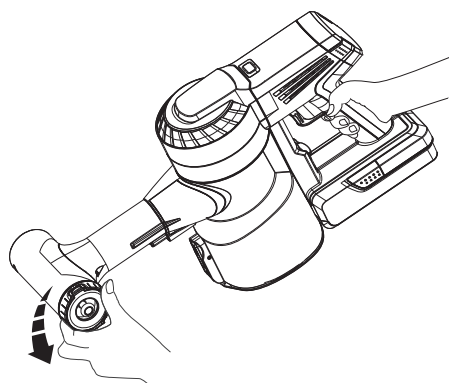
Assurez-vous que l'appareil est éteint avant de le nettoyer, et retirez le pré-filtre sale du porte-filtre à mailles.



Ne retournez pas l'appareil lorsque vous retirez ou installez le filtre pour empêcher la poussière de pénétrer dans le moteur.

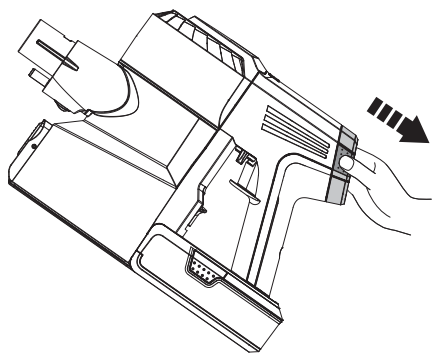


Remplacez le filtre propre dans le boîtier principal. Placez le pré-filtre encrassé dans l'outil de nettoyage et connectez-le au boîtier principal.

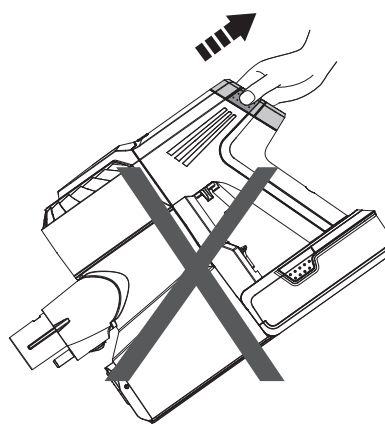


Utilisez l'appareil en mode MAX et faites pivoter le capot latéral pour nettoyer le pré-filtre encrassé.

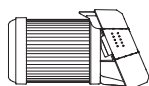
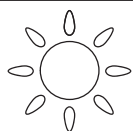
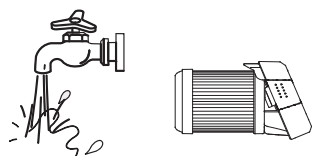
## Filtre HEPA



Appuyez sur le bouton de déverrouillage HEPA et retirez-le délicatement pour le nettoyage. N'utilisez pas l'appareil sans avoir préalablement installé le filtre HEPA.



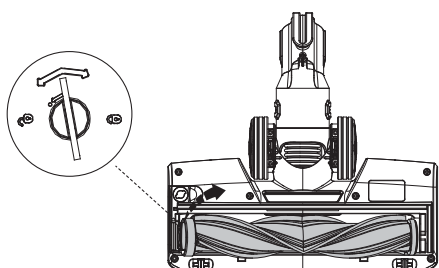
Ne placez pas l'appareil comme illustré ci-dessus lors du retrait ou de l'installation du filtre HEPA afin d'empêcher la poussière de pénétrer dans le moteur.



Le filtre HEPA peut être lavé à l'eau courante et doit être séché complètement avant d'être réinstallé.

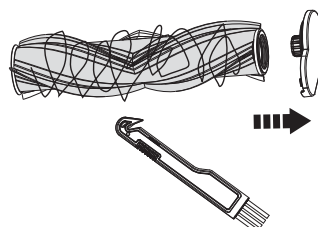
## Rouleau brosse

1



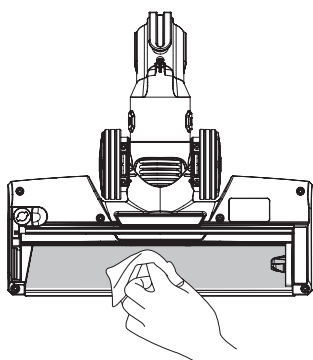
Utilisez une pièce de monnaie ou un autre outil pour déverrouiller le verrou du rouleau de la brosse, puis retirez la brosse de la fenêtre de brosse.

2



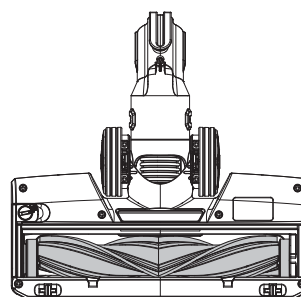
Enlevez les débris enroulés autour du rouleau avec l'outil de nettoyage des poils/cheveux Tineco.

3



Nettoyez doucement la fenêtre de brosse transparente.

4



Après le nettoyage, réinstallez la brosse.



### Avertissement :


- La brosse motorisée contient des composants électriques qui ne peuvent pas être trempés ou lavés à l'eau.



# Spécifications

Produit	Série A10
Tension	21,6 V===
Puissance d'alimentation	350 W
Capacité du bac à poussières	0,4 L
Durée de charge	3-4 heures
Entrée CA	100-240 V~

## Élimination des déchets

- La batterie contient des matériaux nuisibles pour l'environnement, et doit donc être enlevée de l'appareil avant l'élimination de celui-ci.
- Éteignez l'appareil avant d'enlever la batterie.
- Les batteries, les chargeurs, les accessoires et l'emballage doivent faire l'objet d'un tri dans l'optique d'un recyclage écologique. Ne les jetez pas au feu, à l'eau ou dans le sol. Les chargeurs et batteries ne doivent en aucun cas être jetés avec les ordures ménagères ! 
- En cas de contact du liquide de batterie avec la peau ou les vêtements, rincez immédiatement à l'eau afin d'éviter toute irritation, et consultez un médecin.

# Guide de dépannage

Problème	Cause possible	Solution
L'appareil ne s'allume pas	Pas d'alimentation	Chargez la batterie
	La bouche d'aspiration est bouchée	Vérifiez et éliminez les obstructions
	La batterie est toujours branchée à l'adaptateur	Débranchez la batterie de l'adaptateur
Faible puissance d'aspiration	Le bac à poussières et les filtres sont remplis	Nettoyez le bac à poussières et les filtres
	Le rouleau brosse est entouré de cheveux/poils ou de fibres	Nettoyez le rouleau brosse
	Le pré-filtre n'est pas installé	Installez le pré-filtre
	L'appareil est bloqué (tel que le tube, la bouche d'aspiration ou d'autres pièces)	Éliminez les obstructions
Sons de moteur anormaux	L'appareil est bloqué (tel que le tube, la bouche d'aspiration ou d'autres pièces)	Éliminez les obstructions
La batterie ne peut pas être rechargée	L'adaptateur n'est pas correctement inséré ou l'adaptateur n'est pas conçu pour le Tineco A10	Retirez l'adaptateur et insérez à nouveau l'adaptateur correct
Un voyant rouge clignotant	L'appareil est bloqué ou le rouleau brosse est entouré de cheveux/poils ou de fibres	Arrêtez l'appareil, enlevez les obstructions ou nettoyez le rouleau brosse
	La batterie est déchargée ou surchauffée	Chargez la batterie ou laissez-la refroidir
Un voyant rose clignotant	Les filtres ou la bouche d'aspiration sont bloqués	Nettoyez les filtres ou enlevez les obstructions

## Remarque :

Si le guide de dépannage ci-dessus ne fournit pas de solution, veuillez consulter notre site Web [www.tineco.com](http://www.tineco.com) pour plus d'aide.

# Garantie

## GARANTIE LIMITÉE DE 2 ANS

- S'applique uniquement aux achats effectués auprès des détaillants autorisés de Tineco.
- Est soumise au respect des exigences décrites dans ce manuel d'instructions, et est soumise à d'autres conditions décrites ci-dessous.

## QU'EST-CE QUI EST COUVERT ?

- Votre appareil Tineco bénéficie d'une garantie de 2 ans contre les défauts d'origine du matériel et de la fabrication, lorsqu'il est utilisé à des fins domestiques conformément au manuel d'utilisation de Tineco. Les accessoires motorisés et la batterie achetés séparément sont livrés avec une garantie de 1 an.
- Cette garantie fournit, sans frais supplémentaires, toute la main-d'œuvre et les pièces nécessaires pour assurer que votre appareil est en bon état de fonctionnement pendant la période de garantie.
- Cette garantie n'est valable que pour l'utilisation dans le pays où l'appareil a été vendu.

## QU'EST-CE QUI N'EST PAS COUVERT ?

Tineco ne sera pas responsable des coûts, dommages ou réparations résultant de ce qui suit :

- Appareils achetés auprès d'un revendeur non autorisé.
- Manipulation ou fonctionnement négligent, mauvaise utilisation, abus et/ou manque d'entretien ou utilisation non conforme au manuel d'utilisation Tineco.
- Utilisation de l'appareil autre que pour des usages domestiques normaux, c'est-à-dire, à des fins commerciales ou de location.
- Utilisation de pièces non conformes au manuel d'utilisation Tineco.
- Utilisation de pièces et d'accessoires autres que ceux produits ou recommandés par Tineco.
- Facteurs externes non liés à la qualité et à l'utilisation du produit, tels que la météo, les modifications, les accidents, les pannes électriques, les surtensions ou les catastrophes naturelles.
- Réparations ou modifications effectuées par des parties ou des agents non autorisés.
- Absence de nettoyage des obstructions et autres matières dangereuses de l'appareil.
- Usure normale, y compris l'usure normale des pièces, telles que la poubelle, la ceinture, le filtre, le filtre HEPA, la barre de brosse, le cordon d'alimentation (ou lorsqu'un dommage externe ou un abus est diagnostiqué), les tapis ou planchers endommagés en raison d'une utilisation non conforme aux instructions du fabricant.
- Réduction du temps de décharge de la batterie en raison du vieillissement ou de l'usure de la batterie.

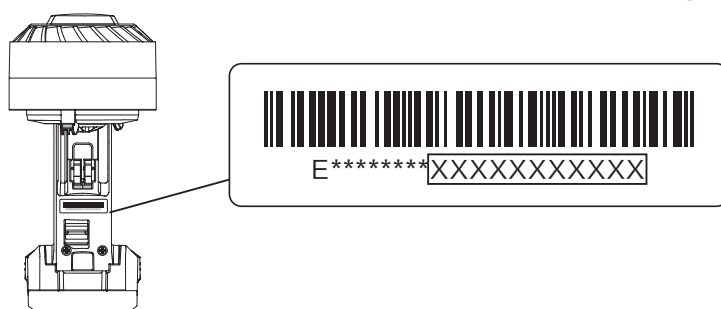
## LIMITATIONS DE GARANTIE

- Toute garantie implicite relative à votre appareil, y compris, mais sans s'y limiter, la garantie de qualité marchande ou la garantie d'adéquation à un usage particulier, est limitée à la durée de cette garantie.
  - La couverture de la garantie s'applique uniquement au propriétaire d'origine et à la batterie d'origine et n'est pas transférable.
  - Cette garantie limitée vous donne des droits légaux spécifiques. Vous pouvez également avoir d'autres droits qui varient selon les régions.
  - Les garanties du fabricant peuvent ne pas s'appliquer dans tous les cas, en fonction de facteurs tels que l'utilisation du produit, l'endroit où le produit a été acheté ou la personne à qui vous avez acheté le produit.
- Veillez lire attentivement la garantie et contactez le fabricant si vous avez des questions.

## SERVICE DE GARANTIE

**Enregistrement :** Nous recommandons vivement d'enregistrer votre appareil sur le site officiel de Tineco ([www.tineco.com](http://www.tineco.com)). L'enregistrement vous permettra de bénéficier d'avantages exclusifs. Pour vous enregistrer, veuillez saisir les 11 derniers chiffres du numéro de série (enlevez le bac à poussières figurant au dos de l'appareil).

Le fait de ne pas enregistrer votre appareil ne diminuera pas vos droits de garantie.



**Comment faire une réclamation :** Veuillez conserver votre preuve d'achat. Pour faire une réclamation dans le cadre de notre garantie limitée, vous devez fournir votre numéro de série et le reçu d'achat original avec la date d'achat et le numéro de commande.

Tous les travaux seront effectués par Tineco ou un agent agréé.

Toute pièce défectueuse remplacée deviendra la propriété de Tineco.

Le service sous cette garantie ne prolongera pas la période de garantie.

Contactez notre service après-vente au  
**1-855-292-8864**  
ou visitez le site Web de Tineco à l'adresse  
**[www.tineco.com](http://www.tineco.com)**  
pour profiter de l'expertise du service  
après-vente.







**tineco**

Live Easy.  
Enjoy Life.



tinecoglobal





Contact us - We'll get back to you within 1 business day.

Conéctese con nosotros. Nos pondremos en contacto con usted dentro de 1 día laboral.

Contactez-nous. Nous vous répondrons dans 1 jour ouvrable.

 [www.tineco.com](http://www.tineco.com)

 1-855-292-8864

 Mon. - Fri. 9am - 6pm (CST)